

BE

POWER EQUIPMENT

HOT WATER PRESSURE WASHER



HW3024HG12V

HW3524HG12V

OPERATOR'S MANUAL

INDUSTRIAL

SERIES



INTRODUCTION
Introduction & Identification Numbers 3

IMPORTANT SAFETY WARNINGS
Important Safety Warnings & Symbols 4

GENERAL INFORMATION
Product Features & Components 7

SET-UP
Connect Hose and Water Supply to Pump 8
How to Use Spray Tips..... 9

OPERATION
Pre-Operation Safety & Inspection Procedures 10
Start-Up Procedure Preparation 10
Starting The Unit 11
Hot Water Operation & Detergent Use 13
Shutting the Unit Down & Storage 14

MAINTENANCE
Specific Maintenance 15
Maintenance Schedule 16

UNIT BREAKDOWNS
Unit Breakdown 17
Control Panel Box 18
Control Panel Wire Diagram 19
Burner Breakdown and Parts List 20
Pump Breakdown and Parts List 22

TROUBLESHOOTING
Troubleshooting Table 23

WARRANTY
Warranty Statement 25

INTRODUCTION & PRODUCT INFO



ATTENTION: Read through the complete manual prior to the initial use of your pressure washer.

Using the Operator’s manual

The operator’s manual is an important part of your pressure washer. It should be read thoroughly before initial use, and referred to often to make sure adequate safety and service concerns are being addressed.

Reading the operator’s manual thoroughly will help avoid any personal injury or damage to your machine. By knowing how best to operate this machine, you will be better positioned to show others who may also operate the unit.

This manual was written to take you from the safety requirements to the operating functions of your machine. You can refer back to the manual at any time to help troubleshoot any specific operating functions, so store it with the machine at all times.

Record Identification Numbers

If you need to contact an Authorized Dealer or Customer Service line (**1-800-663-8331**) for information on servicing, always provide the product model and identification numbers.

You will need to locate the model and serial number for the pump and record the information in the spaces provided below.

Date of Purchase:
Dealer Name:
Dealer Phone:

PRODUCT IDENTIFICATION NUMBERS	
Model Number:	
Serial Number:	

WARNING
ADVERTENCIA • AVERTISSEMENT

Cancer and Reproductive Harm
 Cáncer y Daño Reproductivo
 Cancer et dommages à la reproduction









www.P65Warnings.ca.gov



This is the safety alert symbol. It is used to alert you to potential personal injury hazards. Obey all safety messages that follow this symbol to avoid possible injury or death.

DANGER	This indicates a hazard which, if not avoided, will result serious injury or death
WARNING	This indicates a hazard which, if not avoided, will result in serious injury or property damage.
CAUTION	This indicates a hazard which, if not avoided, might result in minor or moderate injury.
NOTICE	This indicates a situation that could damage equipment or other property. Make sure all security messages are observed and followed.

HAZARD SYMBOLS AND MEANINGS

			
EXPLOSION	FIRE	HOT SURFACE	MOVING PARTS
			
FLYING OBJECTS	ELECTRIC SHOCK	TOXIC FUMES	INJECTION

DANGER

- Always operate the pressure washer in a well-ventilated area free of flammable vapors, combustible dust, gases, or other combustible materials.
- Do not store the pressure washer near an open flame or any equipment such as a stove, furnace, water heater, etc., which utilizes a pilot light or sparking device.
- Do not use this pressure washer to spray flammable material.
- Do not smoke while filling burner fuel tank.
- Never fill the fuel tanks while the pressure washer is running or hot. Allow unit to cool for two minutes.
- Always refuel slowly to avoid the possibility of spilled fuel which may cause a risk of fire.
- Always leave room for fuel to expand in the gas tank. Do not overfill.
- Engine Fuel Tank: If using a Gasoline Engine, refuel with gasoline only. Do not use diesel or kerosene.
- Burner Fuel Tank (Black): When refueling the Burner Fuel Tank, use No. 1 or No. 2 fuel oil/diesel or kerosene. Do not use gasoline.
- Do not operate the unit if gasoline or diesel fuel is spilled. Wipe the pressure washer clean and move it away from the spill. Avoid creating any ignition until the gasoline or diesel fuel has evaporated.
- When the battery is being activated, hydrogen and oxygen gases in the battery are extremely explosive. Keep open sparks and flames away from the battery at all times, especially when charging.
- Be certain to disconnect the battery ground terminal before servicing. When disconnecting the cable from the battery, start with the negative terminal. When connecting them, start with the positive cable.
- When charging the battery, remove the battery vent plugs.
- Use only a voltmeter or hydrometer to check a battery charge.
- DO NOT jump start the battery unless both batteries are of equal voltage and amperage.

IMPORTANT SAFETY WARNINGS

⚠ WARNING



Serious injury or death may occur from a fire caused by a muffler spark.
 Serious injury or death may occur if system safety's are not properly maintained.

- A spark arrester must be added to the muffler of this engine when using on land covered with any flammable agricultural crop (hay and grain), and if they are used in or near brush or forested areas. The arrester must be maintained in effective working order by the operator of the equipment. In the state of California, the above is required by law. (Section 4442 and 4443 of the California Public Resources Code.) Other states/provinces may have similar laws. Federal laws apply on Federal lands.
- This pressure washer has a Safety Relief Valve . This should never be altered, modified, removed or made inoperative. If the device fails, replace immediately with genuine manufacturer replacement part.

⚠ WARNING



Serious injury or death may occur from inhaling engine/burner exhaust or dangerous vapors. The engine exhaust from this product contains chemicals known to the State of California to cause cancer, birth defects, or other reproductive harm.

- Never operate this pressure washer in an enclosed area. Always ensure there is adequate ventilation (fresh outside air) for breathing and combustion. This will prevent the buildup of dangerous carbon monoxide gases. Beware of poorly ventilated areas, or areas with exhaust fans which can cause poor air exchange. This unit should only be used outdoors to ensure ventilation is never an issue.
- Follow all safety instructions provided with the materials you are spraying. Use of a respirator may be required when working with some materials. Do not use this pressure washer to dispense hazardous detergents.

⚠ WARNING



Serious injury or death could occur from high pressure spray penetrating the skin.

- Keep clear of nozzle and spray! Never put your hand, fingers or body directly over the spray nozzle.
- Do not direct discharge stream at self, other persons, or pets.
- This product is to be used only by trained operators.
- Always keep operating area clear of other people.
- Do not allow children to operate this unit or be in the vicinity while you operate it.
- Seek emergency medical care if spray seems to have penetrated the skin. Do not treat as a simple cut!
- High pressure hoses and fuel lines should be inspected daily for signs of wear. If evidence of failure exists, promptly replace all suspect hoses and fuel lines to prevent the possibility of injury from the high pressure spray. If a hose or fitting is leaking, do not place your hand on the leak.
- Never operate the gun with the trigger held in the open position. To prevent accidental discharge, the trigger gun should be securely locked when not in use.
- Before removing the spray nozzle or servicing the unit, always shut the unit off and pull the trigger of the gun to release trapped pressure (even after you shut off the unit, there is high pressure water left in the pump, hose and gun until you release it by pulling the trigger the gun).

⚠ WARNING



Serious injury or death may occur from contact with electricity.

- Do not direct spray on or into electrical installations of any kind! This includes electrical outlets, light bulbs, fuse boxes, transformers, and the unit itself.
- Do not allow metal components of the pressure washer to come in contact with live electrical components.

⚠ WARNING



Serious injury may occur from touching the gasoline engine, muffler, or heat exchanger. These areas can remain hot for some time after the pressure washer is shutdown.

- Never allow any part of your body to contact the gasoline engine, muffler, or heat exchanger.

⚠ WARNING



Serious injury may occur from a pressure washer malfunction or exploding accessories if incorrect system components, attachments, or accessories are used. Serious injury or death may occur if attempting to start the pressure washer when the pumping system is frozen.

- Never make adjustments to the factory set pressures.
- Never exceed manufacturers maximum allowable pressure rating of attachments.
- Do not allow any hoses to make contact with heat exchanger to prevent the possibility of bursting. Avoid dragging the hoses over abrasive surfaces such as cement.
- Use only manufacturer recommended repair parts for your pressure washer.
- In freezing temperatures, the unit must always be warm enough to ensure there is no ice formation in the pump. Do not start the pressure washer if it has been transported in an open or under heated vehicle without first allowing the pump to thaw.

⚠ WARNING



Serious injury may occur to the operator from moving parts on the pressure washer.

- Before making any adjustments, be certain the engine is turned off and the ignition cable(s) is removed from the spark plug(s). Turning the machinery over by hand during adjustment or cleaning might start the engine and machinery with it.
- Do not operate the unit without all protective covers in place.

⚠ WARNING

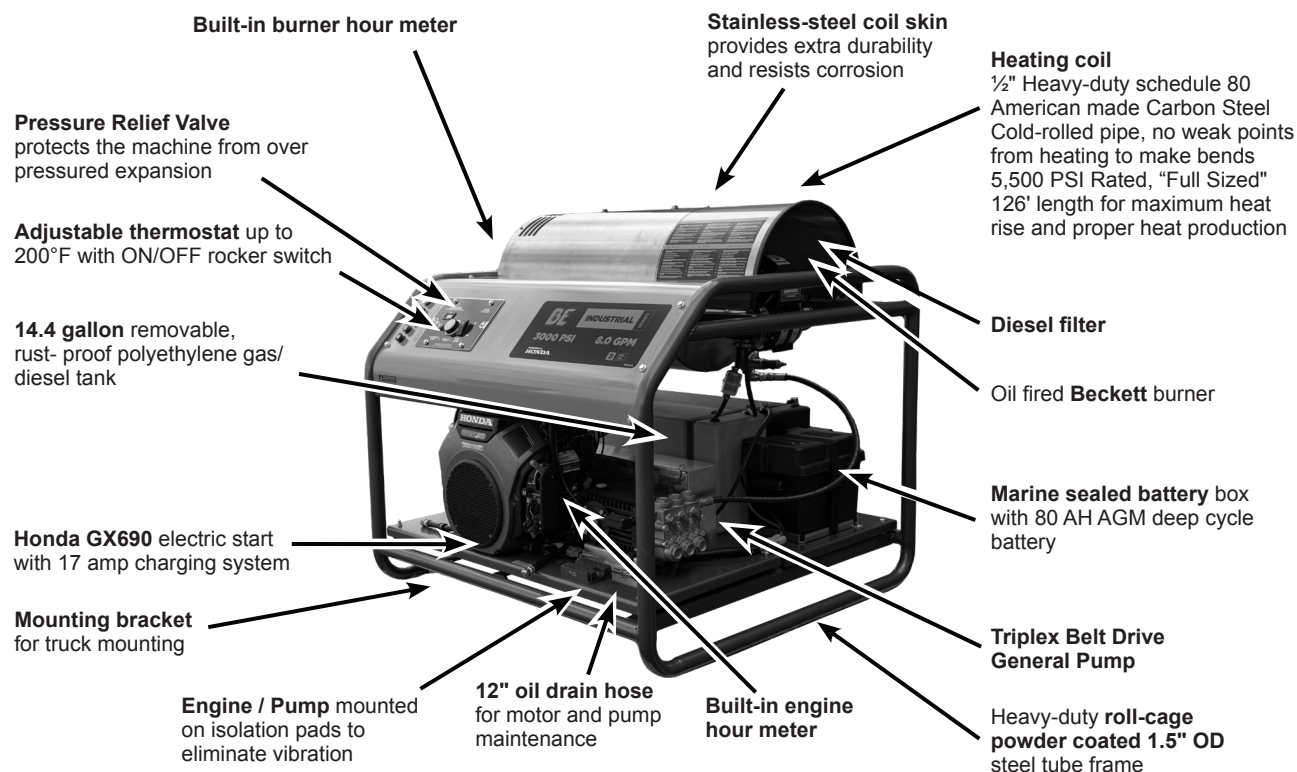


Serious injury or death may occur from detergents contacting the skin. Serious injury can occur from loose debris being propelled at a high speed from the spray gun. Injury may occur if the operator loses their balance caused by the thrust of water traveling through the spray nozzle.

- Never use any solvents or highly corrosive detergents or acid type cleaners with this pressure washer.
- Protective equipment such as rubber gloves and respirators are advisable, especially when using cleaning detergents.
- Keep all detergents out of the reach of children!
- Always wear protective goggles when operating the unit to shield the eyes from flying debris and detergents.
- Do not direct spray toward fragile materials such as glass.
- Stay alert: watch what you are doing. Do not operate the unit when fatigued or under the influence of alcohol or drugs.
- Never squeeze the trigger unless securely braced.
- Do not overreach or stand on unstable support.
- Wet surfaces can be slippery. Wear protective foot gear and keep good footing/balance at all times.
- Never pull the trigger of the gun while on a ladder, roof, or other unstable surface.
- Always hold on firmly to the gun/lance assembly when starting and operating the unit. Failure to do so can cause the lance to fall and whip dangerously.
- Do not leave pressurized unit unattended. Shut off the pressure washer and release trapped pressure before leaving.
- Do not operate the unit if you see any fuel, oil, or water leaking from the machine. DO NOT resume operation until the unit has been inspected and repaired by a qualified technician.
- Do not transport the unit by pulling on hoses or cords.

GENERAL INFORMATION

PRODUCT FEATURES & COMPONENTS



Description	HW3024HG12V	HW3524HG12V
Pressure Rating	3000	3500
GPM	8	5.6
Engine Model	HONDA GX690	HONDA GX690
Displacement	688 CC	688 CC
Voltage	12VDC	12VDC
Amps	17	
Burner Type	ADC Beckett	
Unloader	VRT100	VRT3
Pump Type	GP TSF2021	GP TS2021
Nozzles Included	0°, 15°, 25°, 40°, Soaper	
Hose length	50'	
Start Type	Electric Start	
Gasoline Capacity	54.5 litres (14.4 U.S. gal)	
Diesel Capacity	54.5 litres (14.4 U.S. gal)	
Engine Oil Capacity	2.0 litres (2.1 U.S. qts)	
Weight	444 kg (979 lbs)	
Hose diameter	3/8"	
Hose Material	Rubber / Double Wire Braid	

WATER SUPPLY

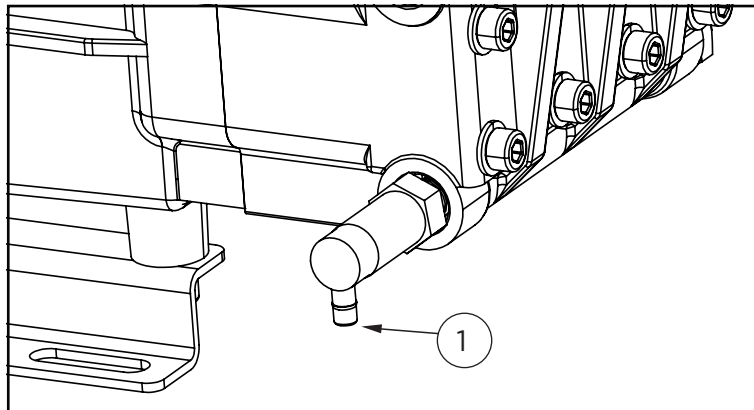
1. Select a water supply hose which is a quality grade of the hose measuring at least 3/4" ID and no longer than 50 feet to the water tank.
2. Attach a hose measuring 1/2" ID and rated for 100PSI minimum to the bypass from the unloader valve to the water supply tank
3. Connect the hose to the inlet of your high pressure pump. Ensure the connection is tight at both ends (at the pump inlet and at the water supply source).
4. Install water inlet filter between pump and tank.
5. **Never allow the unit to operate without the water hose attached and the water supply opened all the way.**

NOTICE

- If there is a high mineral content in your water, it is highly recommended that a water softener and an additional water strainer be added to the water inlet. This will help prevent the possibility of excessive scale buildup inside the heat exchanger coil.

Pumps are water cooled. When the machine is running, ensure the trigger of the gun is pressed to allow a constant flow of fresh water into and out of the pump. **Do not let the machine run for more than 30 seconds without pulling the trigger.**

Most pumps are protected by a **thermal valve (1)**. The thermal valve releases water if a pump starts to run too hot. It will prevent catastrophic heat failure. However, the pump may have suffered damage and need maintenance, repair, or replacement. If it does not reset and continues to leak water, the thermal valve may need to be replaced.



SET-UP

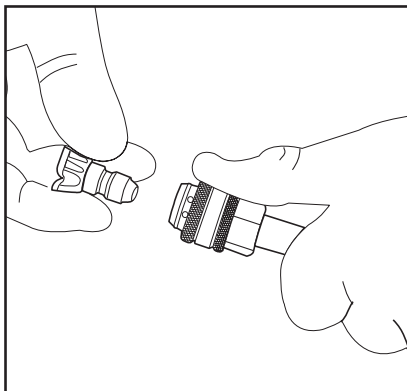


HOW TO USE SPRAY TIPS

The quick-connect on the nozzle extension allows you to switch between five different quick-connect spray tips. Spray tips can be changed while the pressure washer is running once the spray gun trigger safety lock is engaged. The spray tips vary the spray pattern as shown above.

FOLLOW THESE INSTRUCTIONS TO CHANGE SPRAY TIPS:

1. Pull back collar on quick-connect coupler and pull the current spray tip off. Store the spray tips in the holder provided on the handle. Storing tips in the designated holder will help prevent any debris from clogging the tip.



2. Select the desired spray tip:
 - For a gentle rinse, select the white 40° spray tip.
 - For light cleaning, select the green 25° spray tip.
 - For high pressure cleaning, select the yellow 15° spray tip.
 - To scour the surface, select the red 0° spray tip.
 - To apply detergent, select the black spray tip. **No other spray tip will draw soap**
3. Pull back on collar, insert spray tip and release collar. Tug on spray tip to ensure it is securely in place.

USAGE TIPS

- For most effective cleaning, keep spray tip 8 to 24 inches away from cleaning surface.
- If the spray tip gets too close to the surface being cleaned, especially using a high pressure spray tip (red or yellow), it may be damaged. **Do not use the red spray tip on glass.** Doing so could result in broken or cracked glass.

PRE-OPERATION SAFETY

1. This unit should only be placed on a level surface to ensure proper lubrication for the water pump while operating. Placing the unit on a level surface will also ensure that fuel, oil, and other fluids don't spill during operation. NEVER spray water directly on the unit.
2. Do not use unit in an area:
 - A. with insufficient ventilation.
 - B. where there is evidence of oil or fuel leaks.
 - C. where flammable gas vapors may be present.

This unit has multiple ignition sources that could cause a fire or explosion.

3. Do not allow the unit to be exposed to rain, snow, or freezing temperatures. If any part of the unit becomes frozen, excessive pressure may build up in the unit which could cause it to burst. This would result in possible serious injury to the operator or bystanders.
4. Pump oil level should be checked before each use. Make certain the oil is on the "Full" mark on the dipstick or in the center of the oil sight glass. If the level appears to be low, fill with SAE30W non-detergent pump oil.
5. Your pressure washer is equipped with an electric starter. On initial start-up, wear proper eye and skin protection when filling the battery with acid. Fully charge the battery to allow electric starter to function.

MANUAL & SAFETY REVIEW

1. Review "Risk of Explosion or Fire" warnings, before fueling.
2. Locate the Safety Decals on your unit and heed their warnings.
3. Engines: See the included engine Owner's Manual for fuel requirements.
4. Burner Fuel: When filling tank, use No. 1 or No 2 fuel oil/diesel or kerosene.
5. Check the engine oil level before starting the engine.
6. Review the engine manual accompanying this pressure washer for correct engine start-up and maintenance procedures.

START-UP PROCEDURE PREPARATION

Before starting the unit, perform the following procedures:

1. Check the oil level and condition for the pump and engine. We recommend **SAE 10W30** oil for engines and **SAE 30** mineral oil for pumps.
2. Inspect the water inlet strainer. Clean or replace if necessary.
3. Check all hose connections to ensure they are securely tightened.
4. Inspect for system water leaks, oil leaks and fuel leaks. **If a fuel leak is found, do not start the unit.** Be sure that all damaged parts are replaced and mechanical problems are corrected prior to operation of the unit.
5. Inspect high pressure hoses for kinking, cuts, and leaks. **If a cut or leak is found, do not use the hose.** Replace hose before starting unit. Be sure that all damaged parts are replaced and that the mechanical problems are corrected prior to operation of the unit.

OPERATION

START-UP (COLD WATER)

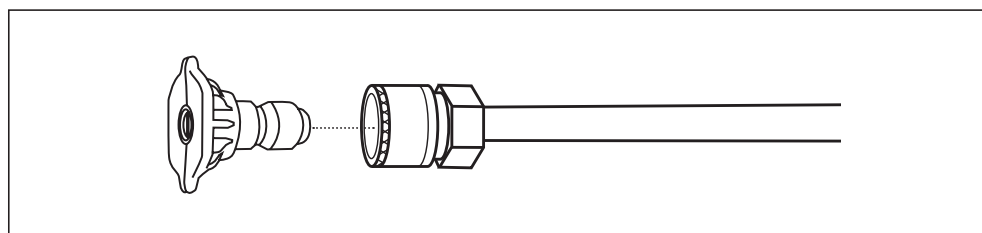
To start your pressure washer for the first time, follow these instructions step-by-step. This starting information also applies if you have let the pressure washer sit idle for at least a day.

1. Make sure the unit is level and placed on solid surface.
2. Connect garden hose to water inlet on pressure washer pump. To do this, thread the end of the hose into the inlet by hand until tight and secure.
3. Attach wand extension to spray gun. Tighten by hand.

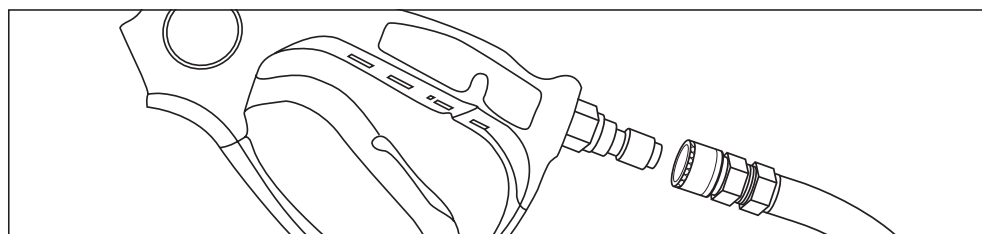
NOTICE

DO NOT run the pump without the water supply connected and turned on. Failure to follow this rule will result in damage to the pump. **Damage caused by running the pump without water is not covered by warranty.**

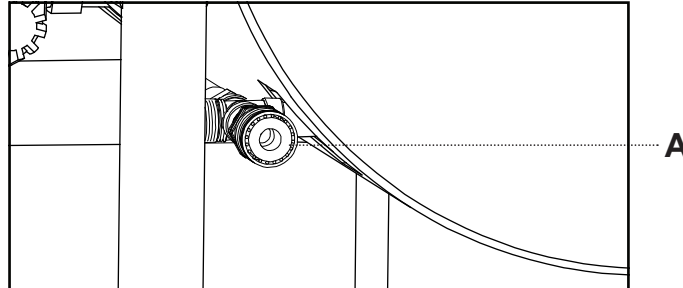
4. Choose desired spray tip, pull back nozzle extension collar, insert spray tip and release collar. Tug on spray tip to make sure it is securely in place. See **Spray Tips** on page 9 for more information.



5. Pull down on the collar of the quick-connect coupler, slide onto the gun connector and let go of collar. Pull on hose to ensure the connection is tight.



- Attach the other end of the high pressure hose to high pressure outlet ("A" on diagram below) on pump. Pull down on collar of quick-connect, slide onto pump and let go of collar. Note that some pumps require the hose to be threaded on. Tug on the hose to ensure connection is secure.



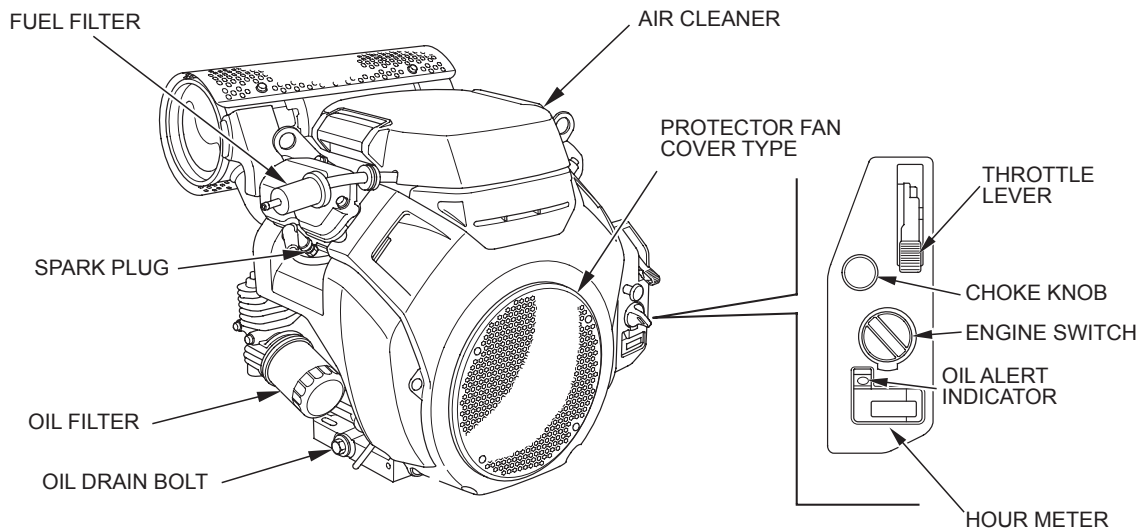
***Pump Uses SAE30 Non-Detergent Mineral Oil**

- Turn water supply on if you have not already done so. Point the gun in a safe direction and squeeze the trigger to purge the pump of air and debris. Do this until water flow is flowing at a steady rate. Continue to hold trigger of gun down while starting the machine to ensure there is no pressure build-up.
- Take a final look at all connections to make sure there are no leaks or loose connections. If there are any leaks in hoses, they must be replaced.

IMPORTANT: DO NOT siphon standing water for the water supply.
Make sure burner switch is OFF

- To start the machine, locate the electric ignition switch on the right side of the engine. Insert the key and turn it to the "ON" position" until the unit starts. Do not hold the switch to the "ON" position for more than 5 seconds as this can cause damage to the engine. Check to ensure fuel valve is in the ON position and if starting cold, move the choke lever to the "CLOSED" position. Reference the component diagram below for the location of these parts.

Remember to gradually move the choke lever back to the "open" position once the engine is running.



***Engine Uses SAE 10W30 Oil**

OPERATION

HOT WATER OPERATION

Now that the unit is running, it is operating as a cold water pressure washer.

When you wish to switch to hot water, turn the burner switch to the "ON" position.

NOTICE

Upon initial start-up, water will begin heating up in approximately 20 seconds. It will reach maximum temperature within 2-1/2 minutes providing that the trigger is continuously pressed down. The burner will not fire when the trigger is released.

⚠ WARNING

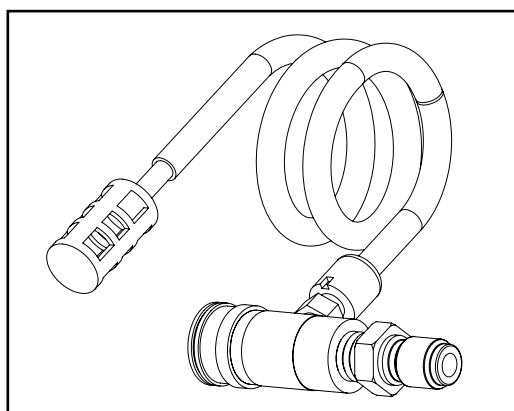
The temperature of the water can become extremely hot during operation.
Use caution when operating the spray gun.

APPLYING DETERGENT

NOTICE

This feature is designed for use with mild detergents only. Since the cleaning solution travels through the heat exchanger coil, DO NOT use corrosives as they will cause extensive damage as well as pose a considerable safety hazard.

1. Prepare detergent solution according to label directions. Never pump acids, alkaline, abrasive fluids or solvents through the unit. Due to the unknown and often corrosive characteristics of many detergents commonly used in the pressure washer cleaning industry, it is recommended to use only mild detergents with this unit.
2. Fully immerse the detergent strainer into the detergent solution.
3. To apply solution, install the black soap nozzle to the tip of the spray gun, unlock the gun, and squeeze the trigger. After a few moments, a detergent/water mixture will exit the nozzle. Start spraying the lower portion of the surface being cleaned and move up, using long overlapping strokes. Applying from the bottom up helps avoid streaking. Allow everything to soak briefly.
4. Avoid working on hot surfaces or in direct sunlight to minimize the chances of the detergent drying, which may result in damaged surfaces. Be certain to rinse a small section at a time.
5. To rinse, lock the trigger gun in the "OFF" position. From here, securely place the white or green spray tip in the end of the spray gun. Unlock the trigger and spray. It will take about 30 seconds to purge all detergent from the line. For best rinsing results, start at the top and work down.
6. Siphon a gallon of water through the low pressure detergent injection system after each use. This prevents the possibility of corrosion or detergent residue causing mechanical problems during the next use.



SHUTTING THE UNIT DOWN


1. Move the burner switch to the "OFF" position.
2. Squeeze the trigger and discharge the water for three minutes to cool the heat exchanger and high pressure hose. Insufficient cool-down periods for the high pressure hose will cause excessive wear and eventual rupture of the hose.
3. Do not close the choke to stop the engine. Backfire or engine damage may occur.
4. Move the engine key switch to the OFF position.
5. Turn off the water supply and pull the trigger of the gun to relieve trapped pressure.

Disconnect and drain the high pressure hose, gun, and lance. Wipe the unit clean and store in a non-freezing environment.

STORAGE AND WINTERIZING

If you do not plan to use the pressure washer for more than 30 days, you must prepare the engine and pump for long term storage. See the engine user manual for specific instructions regarding this.

When storing the unit for winter, it is important to ensure it is stored in the right environment. Ensure the storage area stays above freezing during cold weather, and try to limit the amount of dust gathered on the unit via a cover.

⚠ WARNING	
	Storage covers can be flammable.
<ul style="list-style-type: none"> • DO NOT place a storage cover over a hot pressure washer. • Let equipment cool for at least 30 minutes before placing the cover on the equipment. 	

You will need to ensure that the fuel is drained from the engine prior to storage. For the steps required to do this, see the engine user manual.

Once the unit has been stored and the gasoline has been drained, the last thing to do is to winterize your pump. This can be done in one of two ways:

- BE "**Pump Saver**" Solution (P/N: 85.490.046). This is an anti-freeze solution that is used before storing the unit. It coats to inside of the pump to ensure that any residual water doesn't freeze. To use BE Pump Saver, follow the instructions written on the bottle. Water freezing in the pump will damage seals and other internal parts. **Freezing damage is not covered by warranty.**

⚠ CAUTION	
Be certain the hoses and spray gun are not attached to the pump during application of pump saver or use of the blowout tool. Having a hose attached greatly reduces the amount of water/debris removed from the pump and coil.	

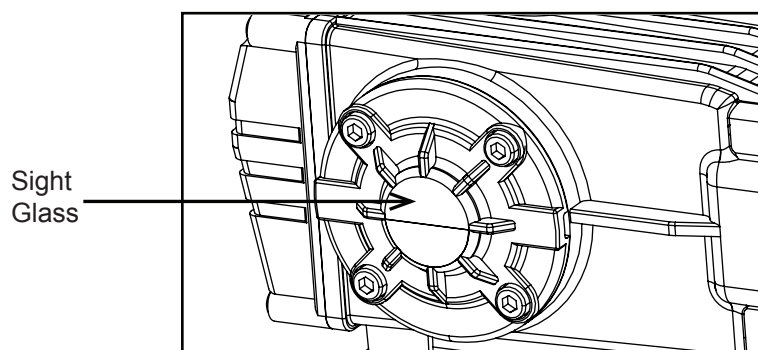
NOTICE	
You must protect your unit from freezing temperatures.	
<ol style="list-style-type: none"> 1. Failure to do so will permanently damage your pump and render your unit inoperable. 2. Freezing damage is not covered under warranty. 	

MAINTENANCE

SPECIFIC MAINTENANCE

ENGINE: The engine instructions that accompany your unit detail specific procedures for maintenance of the engine. Following the engine manufacturer's recommendations will extend the engine's life and ensure the best possible performance.

PUMP: Change the pump oil after the first 50 hours of operation. After the initial change, every 3 months or 250 hour intervals are recommended. If oil appears dirty or milky, changes may be required in greater frequency. **Use SAE 30 non-detergent pump oil** and fill only to the center of the oil sight glass. **DO NOT** overfill.



NOZZLE: Water flow through the spray nozzle will erode the orifice over time, making it larger. This will result in a reduction of pressure. Nozzles should be replaced whenever pressure is less than 85% of the maximum. The frequency of replacement will depend upon such variables as mineral content in the water and number of hours the nozzle is used. Every 3-6 months tends to be a standard interval for replacement.



MAINTENANCE SCHEDULE

PROCEDURE		DAILY	3 MONTHS	6 MONTHS	9 MONTHS	12 MONTHS
Check engine oil level		X				
Change engine oil	*****		X	X	X	X
Check water pump oil level		X				
Change water pump oil	**		X	X	X	X
Oil leak inspection		X				
Fuel leak inspection		X				
Water leak inspection		X				
Hose inspection		X				
Water inlet screen inspection		X				
Check fuel filter			X	X	X	X
Replace fuel filter				X		
Inspect belts			X	X	X	X
Replace high pressure nozzle	***		X	X	X	X
Inspect fuel pump filter	*					X
Replace fuel nozzle	*					X
Check burner air adjustment			X	X	X	X
Check burner electrodes	*					X
Test water pressure	*		X	X	X	X
Test fuel pressure	*		X	X	X	X
Test water temperature	*		X	X	X	X
Descale coil	****					X

* Must be performed by an authorized service technician.

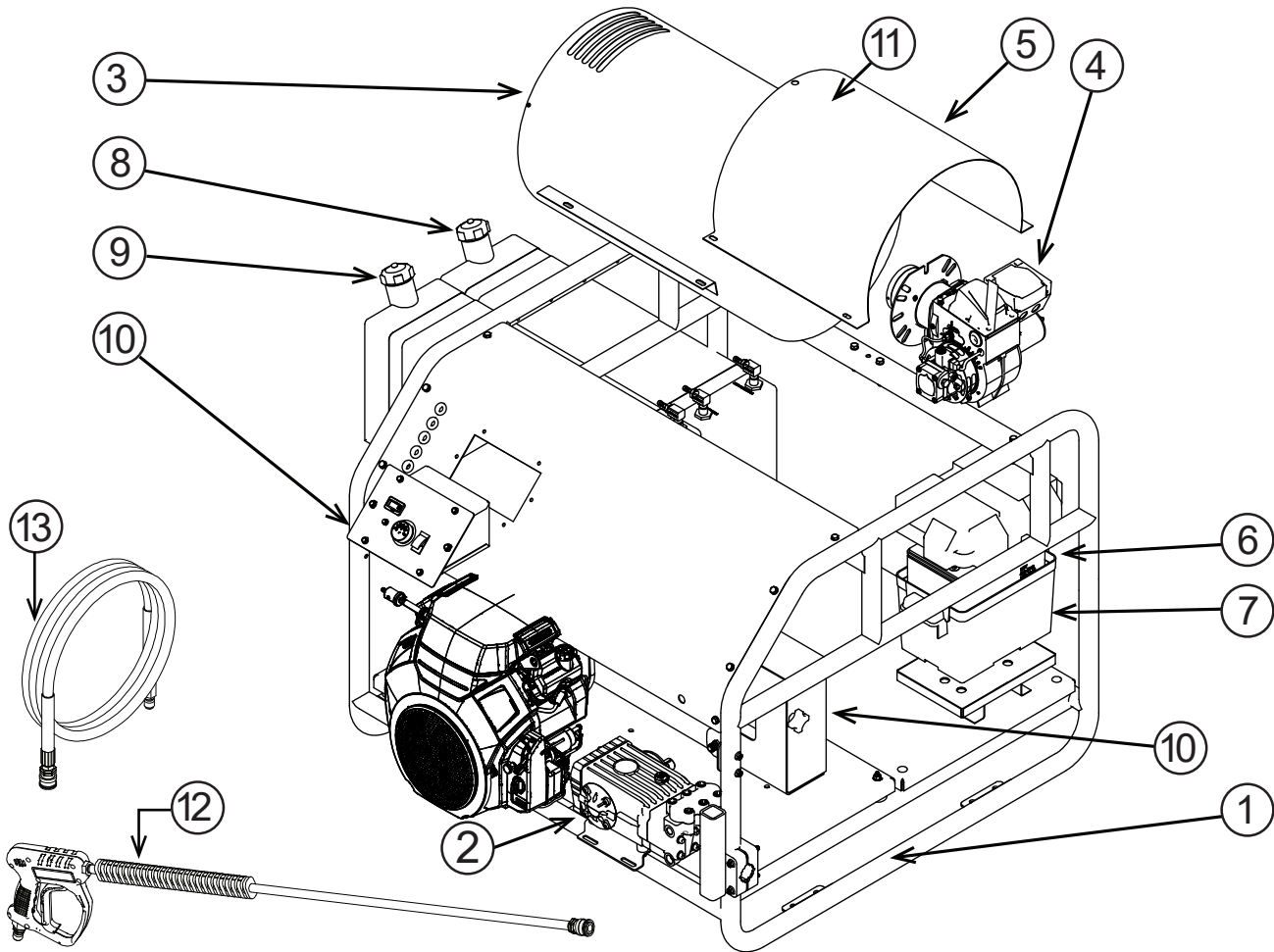
** The pump oil must be changed after the first 50 hours of operation and then every 250 hours or 3 months, whichever comes first.

*** High pressure nozzle should be replaced whenever pressure drops to less than 85%.

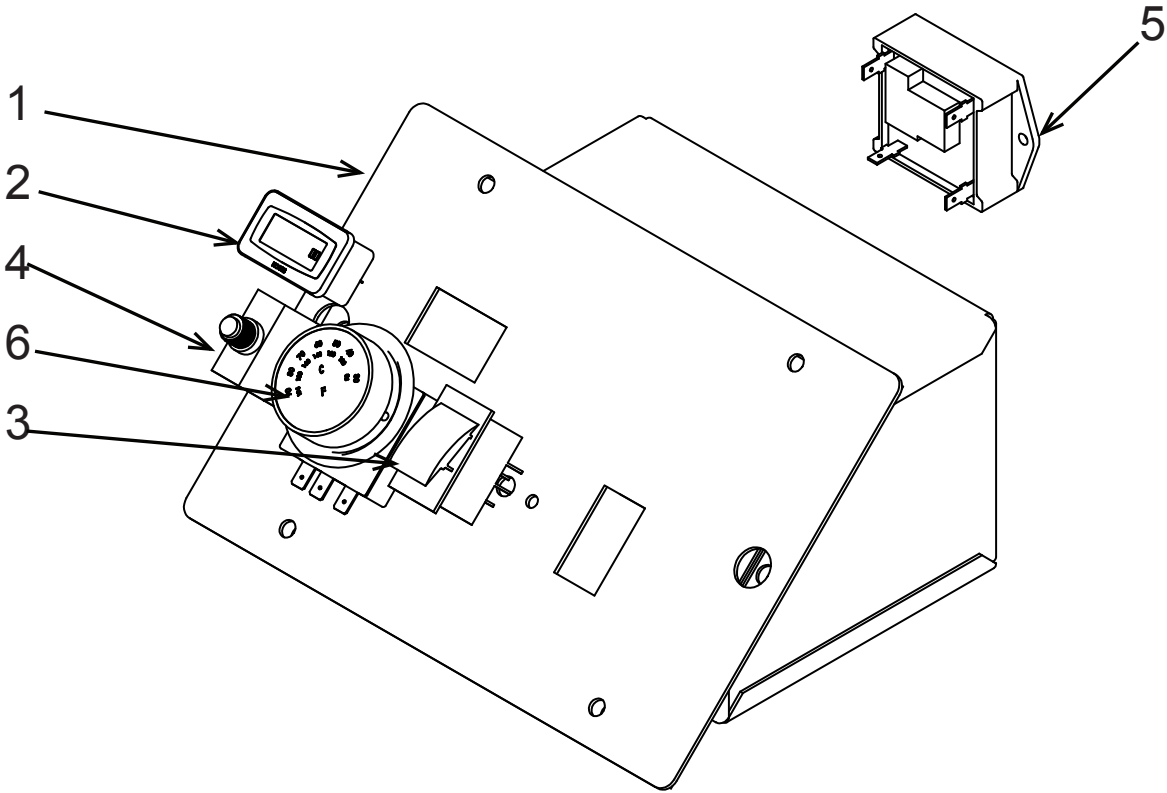
**** Scale build-up will vary with mineral content in the water and amount of usage. Descaling can range from weekly to yearly maintenance.

***** The engine oil must be changed after the first 8 hours of operation and then every 50 hours or 3 months, whichever comes first.

UNIT BREAKDOWN



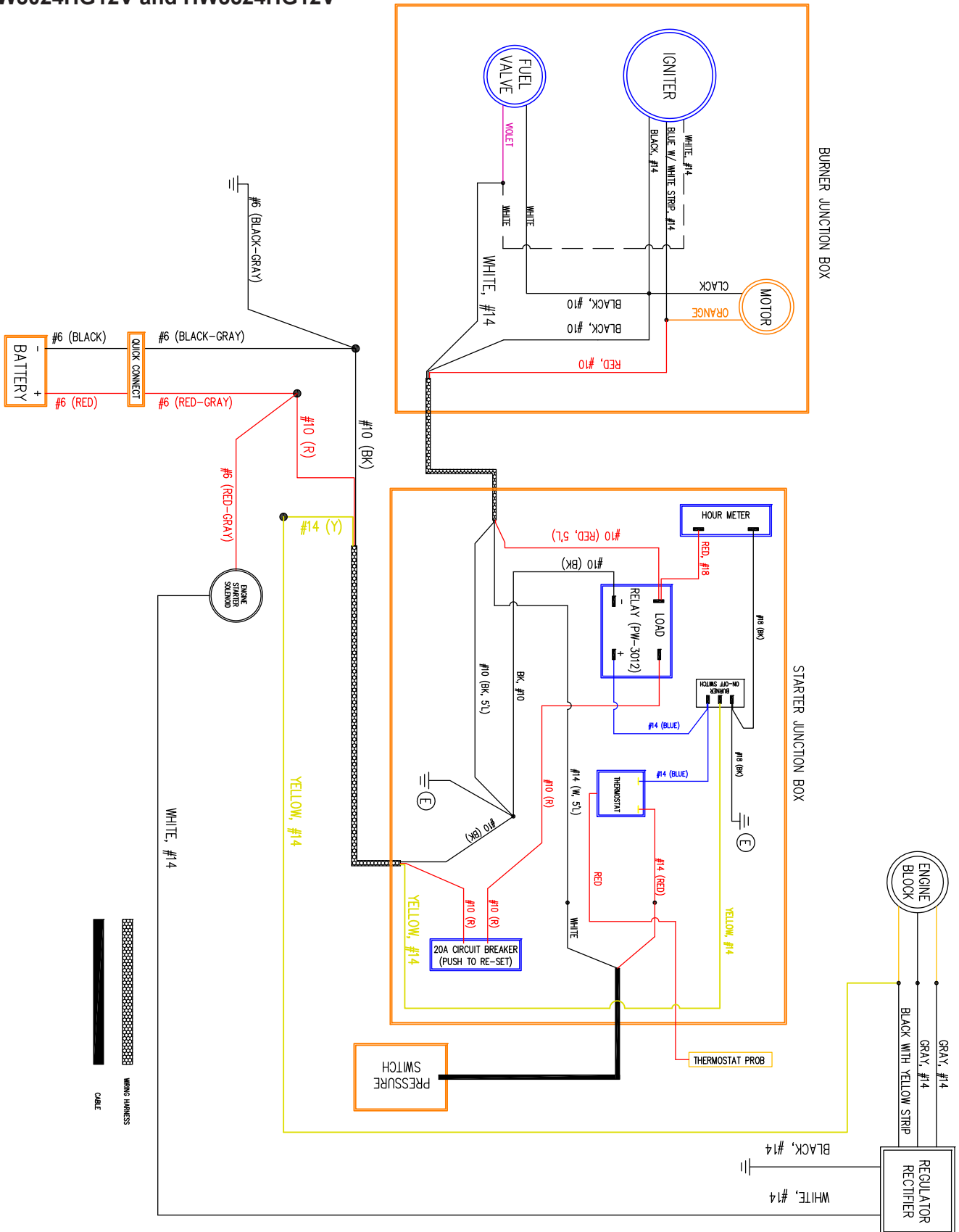
ITEM #.	PART #	DESCRIPTION	QTY.	PART #	DESCRIPTION	QTY.
1	85.600.220	FRAME ASSEMBLY	1	AL607	UNLOADER, VRT3, 5.6GPM (3524HG12V)	1
2	85.130.071B	GENERAL PUMP TSF2021 8GPM (3024HG12V)	1	85.300.033	UNLOADER, VRT100, 8.0GPM (3024HG12V)	1
	85.130.026B	GENERAL PUMP TS2021 5.6GPM (3524HG12V)	1	85.300.082	PRESSURE SWITCH	1
3	59.000.200	COIL, HOT WASH 5.6GPM (3524HG12V)	1	85.300.088	EXPANSION VALVE	1
	59.000.208	COIL, HOT WASH 8GPM (3024HG12V)	1	47.002.045	BELTS 3VX450	4
4	59.110.016	BURNER / (12V ADC SERIES)	1	59.000.104	FUEL FILTER	2
5	59.000.201	BURNER HOOD; HOT WASH	1	85.550.063	ENGINE AIR FILTER	1
6	85.603.101	BATTERY BOX FOR SKID HW	1	85.550.064	ENGINE OIL FILTER	1
7	85.603.100	BATTERY, AGM, 12V, 80AH	1	85.550.065	ENGINE DIP STICK	1
8	85.601.040	14.4 GALLONS DIESEL FUEL TANK	1	85.550.066	ENGINE SPARK PLUG	2
9	85.601.041	14.4 GASOLINE FUEL TANK	1	85.550.008L	MUFFLER	1
10	85.602.222	BELT GUARD	1			
11	59.000.008	INSULATION	1			
12	85.205.066H	GUN	1			
13	85.238.251	HOSE	1			



ITEM NO.	PART NUMBER	DESCRIPTION	QTY.
1	85.600.231	BURNER CONTROL BOX	1
2	59.000.206	HOUR METER	1
3	59.000.103	TOGGLE ON/OFF SWITCH FOR 12V BURNER (ADC SERIES)	1
3	59.000.205	TOGGLE ON/OFF SWITCH FOR 120V BURNER (AFG SERIES)	1
4	85.504.026	PUSH TO RESET 25A CIRCUIT BREAKER (12V)	1
5	59.000.102	LOW VOLTAGE RELAY (12V)	1
6	85.400.071	THERMOSTAT	1

CONTROL PANEL WIRE DIAGRAM

HW3024HG12V and HW3524HG12V



ADC Beckett Burner

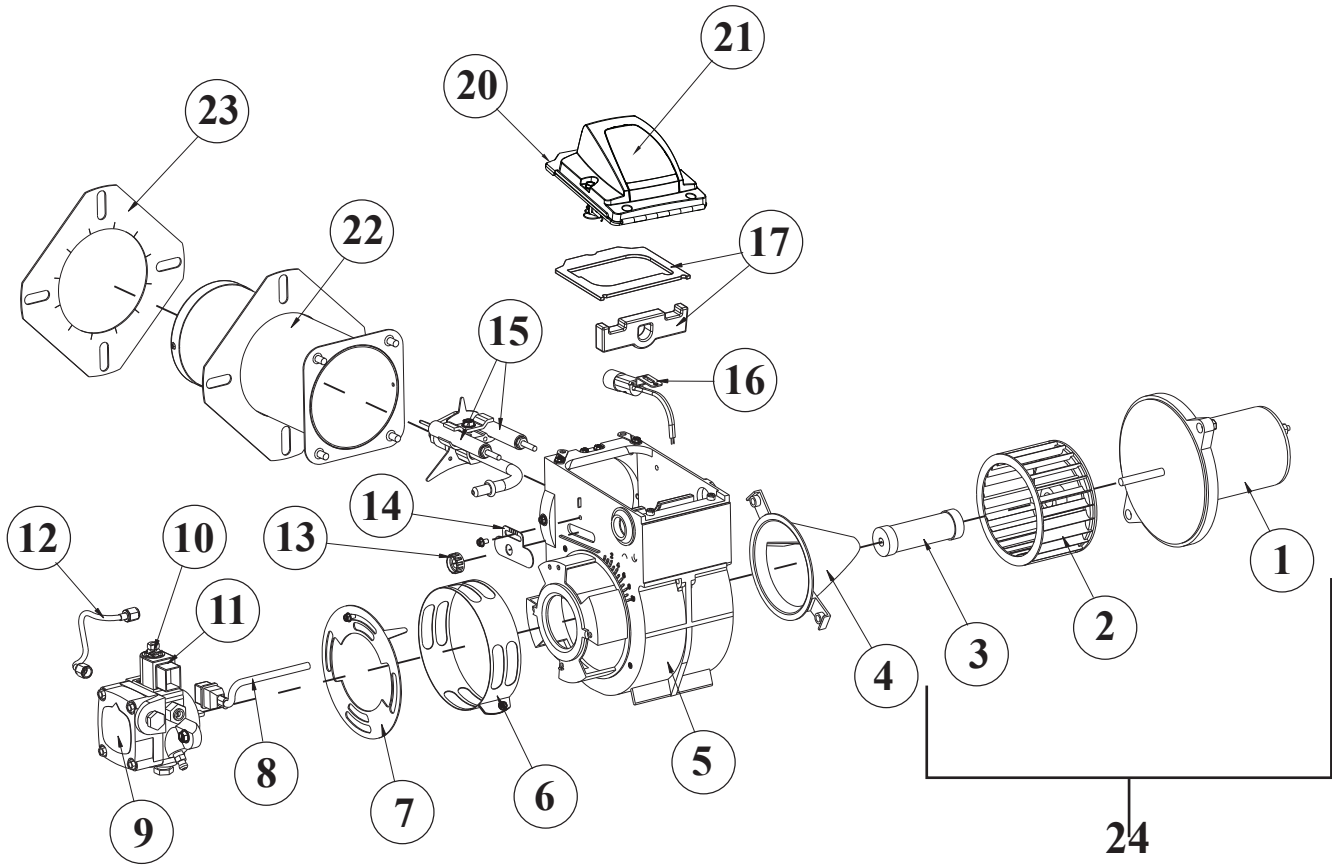


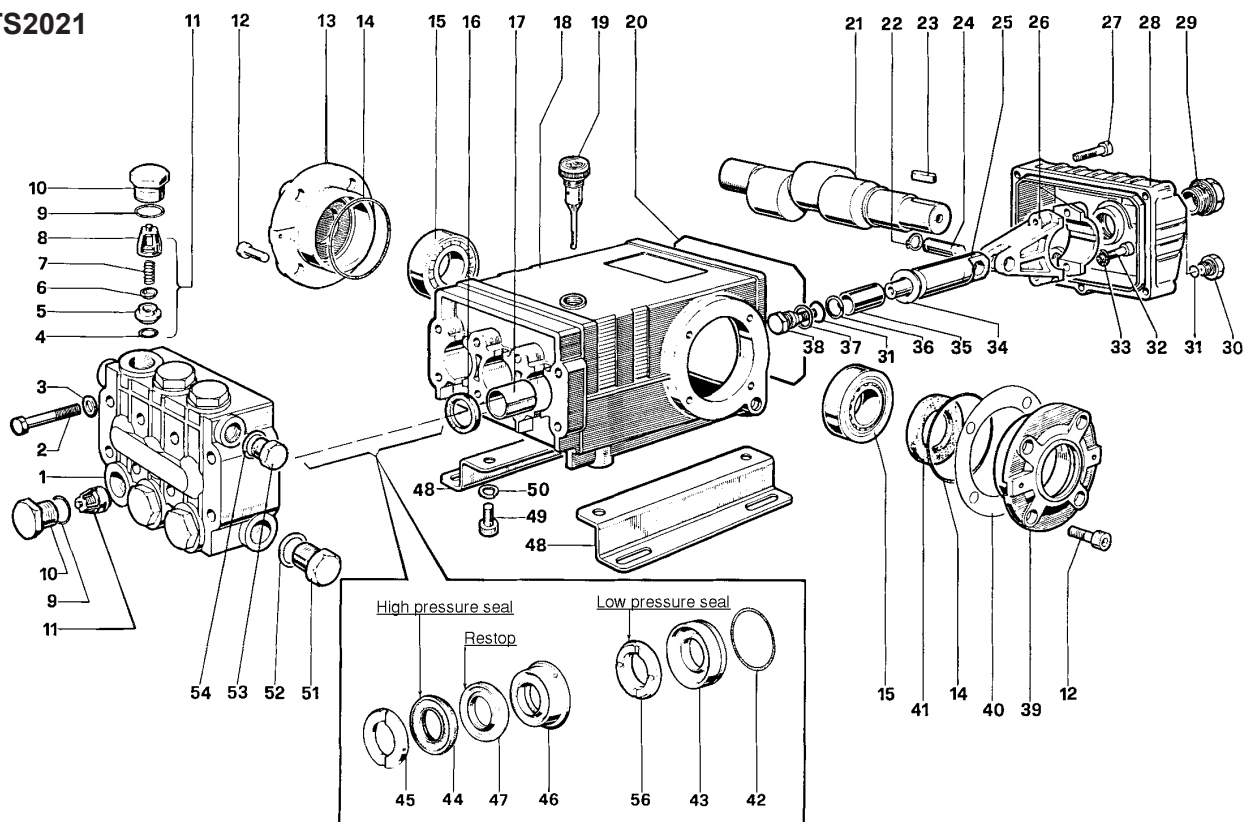
Illustration #	Description
1	DC Motor
2	Blower Wheel
3	Coupling
4	Air Guide
5	Burner Housing - Black
6	Air Band
7	Air Shutter - 4 Slot Air Shutter - 8 Slot
8	Cord set
9	Pump (CleanCut)
10	Valve Stem
11	12 Volt Coil
12	8" Copper Tubing
13	Escutcheon Plate Spline Nut
14	Escutcheon Plate
15	Electrode Kit over 3-5/8"
16	Cad Cell Detector
17	Igniter Gasket Kit

Illustration #	Description
20	Igniter Assy with baseplate
21	Igniter only
22	Air Tube Ass'y
23	Flange Mounting Gasket
24	Motor Kit with Blower Wheel and Coupling
Not Shown	Tune-up Kit for 30 & 35 Air Tube Lengths

Illustration #	PART #	Description
9	59.110.000	Fuel Pump
8,10,11	59.110.001	Fuel Solenoid
15	59.110.002	Electrode Assy
21	59.110.003	Igniter
1	59.110.004	Blower Motor
3	59.110.005	Shaft Coupling

PUMP BREAKDOWN AND PARTS LIST

GP TS2021



PARTS LIST

ITEM PART NO.	DESCRIPTION	KIT NO.	QTY.	ITEM PART NO.	DESCRIPTION	KIT NO.	QTY.	ITEM PART NO.	DESCRIPTION	KIT NO.	QTY.
1	47120841 Manifold		1	19	98210600 Oil Dip Stick		1	37	96728000 Washer	6	3
	47120941 Manifold, Nickel-Plated (TS2021-N)			20	90392200 O-Ring, Cover		1	38	47219566 Screw, Plunger	6	3
2	99320600 Screw, M8 x 70		8	21	47021735 Crankshaft		1	39	47150022 Cover, Crankcase		1
3	96702000 Washer, M8.4		8	22	90055700 Ring, Snap		6	40	97567800 Shim		2
4	90384100 O-Ring, .674 x .103	1	6	23	91489000 Key		1	41	90164800 Seal, Oil	3	1
5	36200366 Seat, Valve	1	6	24	97738000 Pin, Wrist		3	42	90361600 O-Ring, 1.364 x .070	10, 28	3
6	36200176 Plate, Valve	1	6	25	47050554 Guide, Plunger		3	43	47080570 Retainer, Packing	10, 28	3
7	94737600 Spring	1	6	26	47030001 Rod, Connecting		3	44	90270500 Packing	28, 69	3
8	36200251 Guide, Valve	1	6	27	99191200 Screw, M6 x 30		5	45	47100051 Ring, Head, M20	7, 28	3
9	90384700 O-Ring, .797 x .103	4, 5	6		99183700 Screw, M6 x 14 (T1011)		5	46	47216970 Intermed. Ring	28, 71	3
10	98222000 Cap	4	6	28	47160122 Cover, Crankcase		1	47	90270400 Restop Ring	28, 69, 71	3
	98222200 Cap, Ni-Plated (TS2021-N)	5			47160022 Cover, Crankcase (T1011)			48	47200074 Pump Feet		2
11	36703201 Valve Assembly	1	6	29	97596800 Oil Indicator		1	49	99364400 Screw, M10 x 18		4
12	99303900 Screw, M8 x 16		8	30	98204100 Cap		1	50	96710600 Washer, M10.2		4
13	47150122 Cover, Crankcase	1		31	90358500 O-Ring, .426 x .070	6	4	51	98217600 Cap		1
14	90391300 O-Ring, 2.675 x .103	2		32	99309900 Screw, M8 x 35		6	52	96751400 Washer, M21.5		1
15	640047 Bearing, Roller		2	33	96701400 Washer, M8.4		6	53	98210000 Cap		1
16	90162500 Seal, Oil	2	3	34	96728600 Washer, M14		6	54	96738000 Washer, M17.5		1
17	90912600 Bushing		3	35	47040409 Plunger, (20 mm)		3	56	90271000 Seal, Low Press., 20mm	28,69	3
18	47010522 Crankcase	1		36	90506700 Ring, Back-up		6				

REPAIR KITS

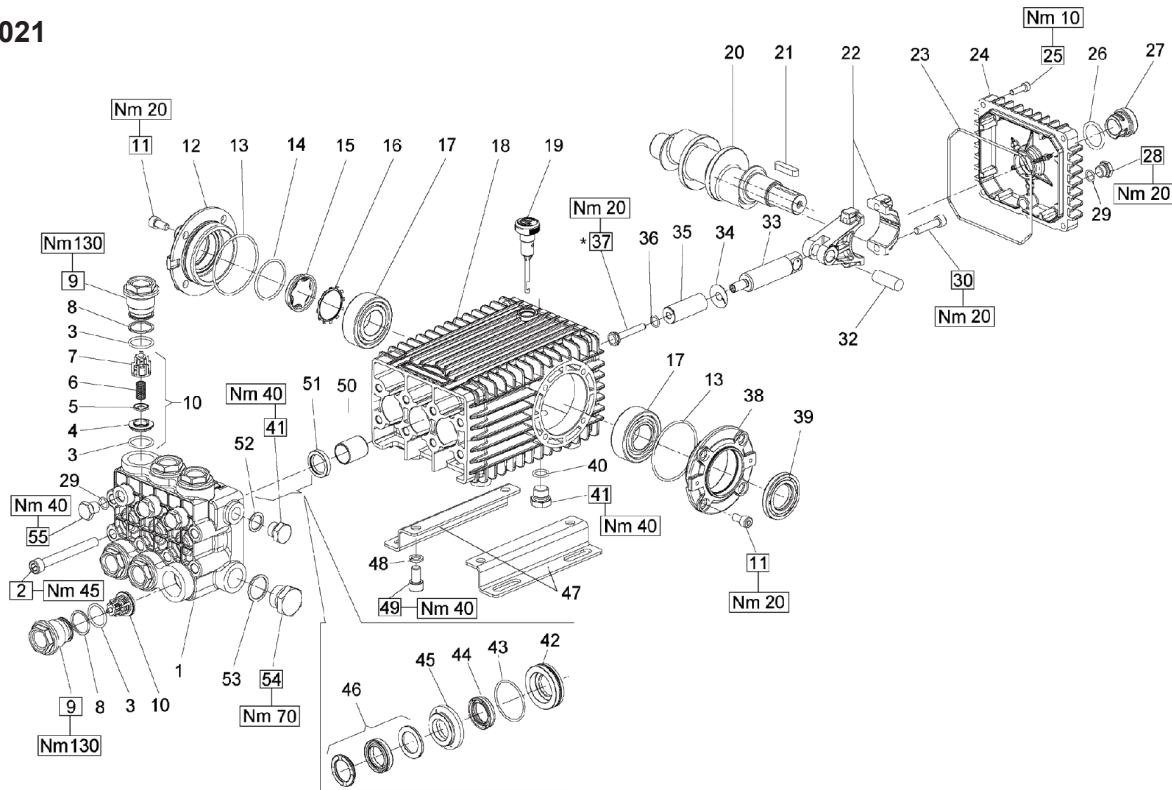
KIT NO.	1	2	3	4	5	6	7	10	28	69	71
ITEM NO.s INCLUDED IN KIT	4, 5, 6, 7, 8 (11)	16	41	9, 10	9, 10	31, 34, 36, 37, 38	45	42, 43	42, 43, 44, 45, 46, 47, 56	44, 47, 56	46, 47
NUMBER OF ASSEMBLIES IN KIT	6	3	2	6	6	3	6	3	1	3	3
NUMBER OF CYLINDERS KIT WILL SERVICE	3	3	-	3	3	3	3	3	1	3	3

TORQUE SPECS*

Position	Ft.-lbs.
2	22.1
10	73.7
12	14.7
27	7.3
29	13.2
30	14.7
32	14.7
38	14.7
49	29.4
51	29.4
53	29.4

*Decrease torque by 20% if threads are lubricated.

GP TSF2021



PARTS LIST

POS.	PART NO.	DESCRIPTION	QTY.	POS.	PART NO.	DESCRIPTION	QTY.	POS.	PART NO.	DESCRIPTION	QTY.
1	66124541	Manifold, Ø 18mm	1	22	66030001	Connecting Rod, Complete	3	43	90361600	O-ring, Ø 34.65x1.78	3
	66120041	Manifold, Ø 20mm	1	23	90392200	O-ring, Ø133.02x2.62	1	44	90265200	LP Seal, Ø 18mm	3
	66120141	Manifold, Ø 22 mm	1	24	66160022	Rear Cover	1		90269000	LP Seal, Ø 20mm	3
	66120241	Manifold, Ø 24mm	1	25	99188400	Screw, M6x20	4		90271500	LP Seal, Ø 22mm	3
	66124641	Manifold, Ø 28mm	1	26	90405100	O-ring, 26.58x3.53	1		90273800	LP Seal, Ø 24mm	3
2	99380100	Headbolt M10 x 90	8	27	63210051	Oil Level Indicator	1		90275300	LP Seal, Ø 28mm	3
3	90385700	O-ring, Ø 23.81x2.62	12	28	98204100	Plug, G1/4"x9	1	45	66216370	Intermediate Ring, Ø 18mm	3
4	36203366	Valve Seat	6	29	7010113	O-ring, Ø .426x.070	4		66216070	Intermediate Ring, Ø 20mm	3
5	36203476	Valve Poppet	6	30	99309900	Screw, M8x35	6		66216170	Intermediate Ring, Ø 22mm	3
6	94738800	Valve Spring Ø10x18x18.5	6	32	97740500	Wrist Pin, 14x39	3		66216470	Intermediate Ring, Ø 24mm	3
7	36203551	Valve Guide	6	33	66050064	Piston Guide	3		66220070	Intermediate Ring, Ø 28mm	3
8	90516500	Anti-ext ring Ø24.7x29x1.5	6	34	96710100	Flinger Washer	3	46	90265500	HP Seal, Ø 18mm	3
9	66130041	Plug, M32x1.5x29.5	6	35	66040309	Plunger, Ø 18mm	3		90269200	HP Seal, Ø 20mm	3
10	36712701	Valve Assy., Complete	6		66040009	Plunger, Ø 20mm	3		90271700	HP Seal, Ø 22mm	3
11	99303900	Screw M8 x 16	8		66040109	Plunger, Ø 22 mm	3		90274100	HP Seal, Ø 24mm	3
12	47151222	Cover	1		66040409	Plunger, Ø 24mm	3		90275400	HP Seal, Ø 28mm	3
13	90391300	O-ring, Ø67.95x2.62	2		66041009	Plunger, Ø 28mm	3	47	47200074	Pump Rail	2
14	90387700	O-ring, Ø 39.34x2.62	1	36	90358400	O-ring, Ø 10.82x1.78	3	48	96710600	Washer M10	4
15	70211801	Oil Sight Glass	1	37	66219566	Plunger Bolt	3	49	99364400	Screw M10 x 18	4
16	90075600	Retainer Clip	1	38	47151022	Side Cover, PTO	1	50	90912600	Guide Bushing	3
17	91838000	Bearing	2	39	90164800	Seal, Shaft	1	51	90162500	Seal, Plunger Rod	3
18	66010022	Crankcase	1	40	90383300	O-ring, Ø 13.95x2.62	1	52	96738000	Gasket, Aluminum 3/8"	1
19	98210600	Dipstick, vented	1	41	98210000	Plug 3/8 x 13	2	53	96770000	Washer	1
20	66021035	Crankshaft, 19mm Stroke, Dual Shaft	1	42	66080370	Seal Retainer, Ø 18mm	3	54	98226800	Plug, G3/4"x16	1
	66020035	Crankshaft, 19mm Stroke	1		66080070	Seal Retainer, Ø 20mm	3	55	98204300	Plug 1/4" x 13	3
	66020435	Crankshaft, 21mm Stroke	1		66080170	Seal Retainer, Ø 22mm	3				
21	91489200	Key, 9x7x35	1		66080470	Seal Retainer, Ø 24mm	3				
					66082570	Seal Retainer, Ø 28mm	3				

REPAIR KITS

KIT NO.	K02	K03	K169	K180 (18mm)	K176 (18mm)	K170 (20mm)	K171 (20mm)	K172 (22mm)	K173 (22mm)	K181 (24 mm)	K182 (24mm)	K248 (28mm)	K247 (28mm)
POS. NO's INCLUDED IN KIT	51	39	3, 4, 5, 6, (10)	44, 46	42, 43, 44, 45, 46	44, 46	42, 43, 44, 45, 46	44, 46	42, 43, 44, 45, 46	44, 46	42, 43, 44, 45, 46	44, 46	42, 43, 44, 45, 46
NUMBER OF ASSEMBLIES IN KIT	3	1	6	3	1	3	1	3	1	3	1	3	1
NUMBER OF CYLINDERS KIT WILL SERVICE	3	N/A	3	3	1	3	1	3	1	3	1	3	1

TROUBLESHOOTING

SYMPTOM	PROBABLE CAUSE	FIX
Engine will not start	Various engine problems	Refer to the Engine Manual accompanying your unit.
	Unit components are frozen.	Allow to thaw. If any part of the unit becomes frozen; excessive pressure may build up in the unit. This can cause the unit to burst, resulting in possible serious injury to the operator or bystanders.
No discharge at nozzle when trigger mechanism is squeezed.	Inadequate water supply.	Ensure hose is 3/4" diameter and incoming water supply is turned on. Ensure the water is turned all the way on.
Low or fluctuating pressure.	Kink in water inlet hose.	Remove kink.
	Water inlet screen obstructed.	Remove screen, clean, or replace.
	Pump sucking air. (Prime eliminated)	Tighten all water intake connections Eliminate leaks in intake line.
	Incorrect nozzle installed on gun.	Insert high pressure nozzle.
	Obstructed or worn spray nozzle.	Remove, clean or replace.
	Damaged or obstructed valve assy. on pump.	Remove, clean or replace.
	Pump packings worn.	Replace packings.
Water is leaking at safety relief valve.	Unloader malfunction.	Detect and correct unloader problem.
	Pressure switch malfunction.	Detect and correct pressure switch problem.
	Safety relief valve is defective.	Replace safety relief valve. NEVER run unit without safety relief valve. Doing so can cause an explosion!
Oil appears milky or foamy.	Water in oil.	Change pump oil. Fill to proper level.
Oil leaking from unit.	Worn seals or o-rings.	Consult customer service.

Detergent will not siphon	Detergent strainer is not completely submerged in detergent solution.	Check, submerge if necessary.
	Detergent strainer obstructed.	Inspect, clean, or replace.
	Detergent hose cut, obstructed or kinked.	Inspect, clean, or replace.
	Detergent adjusting knob turned to closed position.	Open adjusting knob. Refer to "Cleaning with Detergents".
	Nozzle assembly is plugged.	Clean or replace.
Water flows back into detergent container.	Ball & spring in Venturi reversed, missing, or corroded.	Remove, clean, or replace.
Water flows from the nozzle when the trigger gun is locked in the "OFF" position	Trigger gun is malfunctioning.	Repair or replace.
Blower motor will not run. (Burner will not ignite without blower running)	Burner/Blower motor malfunction.	Repair or replace.
	Belt broken or slipping on generator.	Adjust or replace as necessary.

Blower runs, but burner will not ignite.	Switch is not in "Burner" position.	Check switch position.
	Thermostat knob is OFF.	Check thermostat knob position.
	Out of fuel.	Refuel.
	Gun trigger is closed/not pressed.	Press down on gun trigger.
	Detergent valve is open, but detergent hose is not completely submerged in solution. (This causes safety devices to shut down burner.)	Close valve, or completely submerge clear vinyl hose into detergent solution.
	Pressure switch override.	Pressure should be over 375 PSI
	No voltage.	Consult Service Department.
	Fuel pump sucking air.	Tighten all fuel intake connections. Eliminate leaks in intake line.
	Poor or improper fuel supply.	Check fuel to ensure it is correct. Drain tank and filter if necessary and refill with proper fuel.
Blower runs, but burner will not ignite.	Dirty or clogged fuel filter or fuel water separator.	Drain or replace as necessary.
	Low fuel pump pressure.	Check fuel pump pressure, adjust or replace as necessary.
	Fuel pump inoperative.	Check pressure, replace if necessary.
	Flexible coupler broken.	Replace.
	Fuel solenoid valve failure.	Replace.
	Dirty or clogged fuel nozzle.	Replace fuel nozzle.
	Improper burner air adjustment.	Adjust.
	Faulty ignition module.	Repair or replace. Consult Customer Service.
	Ignition electrodes damaged or worn.	Adjust or replace electrodes. Consult Customer Service.
Burner runs erratically.	Water in the fuel.	Drain fuel filter/water separator. Drain fuel tank, and replace with clean fuel.
	Dirty fuel filter	Replace filter
	Dirty fuel nozzle.	Replace.
	Improper air adjustment setting.	Adjust.
	Fuel pump malfunctioning.	Replace.
Blower runs, burner ignites but will not heat.	Thermostat knob is OFF.	Check thermostat knob position.
	Detergent valve is open, but detergent hose is not completely submerged in solution. (This causes safety devices to shut down burner.)	Close valve, or completely submerge vinyl hose into detergent solution.
	Poor or improper fuel supply.	Check fuel to ensure it is correct. Drain tank and replace filter if necessary and refill with proper fuel.
	Dirty or clogged fuel filter or fuel water separator.	Drain or replace as necessary.
	Low fuel pump pressure.	Check fuel pump pressure, adjust or replace if needed.
	Dirty or clogged fuel nozzle.	Replace fuel nozzle.
Blower runs, burner ignites but will not heat.	Improper burner air adjustment setting.	Adjust the setting.
	Scale build up in heat exchanger coil.	Consult Customer Service.
Burner discharges white smoke.	Low on fuel.	Refuel. If white smoke persists, consult Customer Service.
	Excessive air supply.	Adjust air flow.
Burner discharges black smoke.	Insufficient air supply.	Adjust to ensure air flow is sufficient.



WARRANTY

BE Power Equipment makes every effort to ensure that our products meet the highest quality and durability standards.

BE Power Equipment warrants to the original retail consumer a limited warranty against defect in material and workmanship and, BE Power Equipment agrees to repair or replace any defective product up to the value of the original purchase price at BE Power Equipment discretion free of charge. This limited warranty applies to gasoline and electrically powered pressure washers sold in the United States and Canada, does not include HONDA gasoline engines.

BE Power Equipment warranties to term as outlined below all structural components specifically to the manufactures LIMITED WARRANTY DATE excluding HONDA* components. All HONDA* claims are to be evaluated by a HONDA* certified service center. HONDA service centers are listed on the HONDA website but if you require assistance contact BE Power Equipment.

All implied warranties are limited in duration to the stated warranty period, Accordingly, any such implied warranties including merchantability, fitness for a particular purpose, or otherwise, are disclaimed in their entirety after the expiration of the appropriate warranty period.

- HONDA GX Engines: 3 Years
- Triplex Drive Pumps: 5 Years
- Electrical / Control Panel: 1 Year
- Burner: 3 Years
- Coil: 3 Years
- Accessories: 90 Days
- Frame: LIFETIME

In addition, this LIMITED WARRANTY does not cover and it is not limited to failures because lack of service, negligence, directly or indirect misuse, abuse, wearable components, alterations, damage due to freezing, chemical deterioration, scale build up, rust, corrosion, or thermal expansion, normal maintenance service including adjustments, fuel system cleaning, clearing of obstructions, damage to components from fluctuations in electrical or water supply, transportation to service center, field labor charges, freight damage, and repairs preformed by an unauthorized service center.

BE Power Equipment assumes no responsibility and shall in no event be liable for injuries to persons or property or for incidental, special or consequential damages arising from the use of our products.

The limited warranty period begins at the date of purchase, product serial number and bill of sale required to file a claim.

Submit the product at your expense together with your dated proof of purchase to an authorized BE Power Equipment service center. Contact your retailer, BE Power Equipment or visit bepowerequipment.com/service-centers

for the listing of authorized service centers. In cooperation with our authorized serviced center, BE Power Equipment will either repair or replace the product claimed. Claim approval is strictly and exclusively authorized by BE Power Equipment if any part or parts covered under this warranty which examination proves to be defective in workmanship or material during the warranty period will be repaired or replaced without charge by an authorized BE POWER EQUIPMENT serviced center for the balance of the original warranty period.

BE Power Equipment liability for special, incidental, or consequential damages is expressly disclaimed. In no event shall BE Power Equipment liability exceed the purchase price of the product in question. BE Power Equipment makes every effort to ensure that all illustrations and specifications are correct, however, these do not imply a warranty that the product is merchantable or fit for a particular purpose, or that the product will conform to the illustrations and specifications.

THE WARRANTY CONTAINED HEREIN IS IN LIEU OF ALL OTHER WARRANTIES, EXPRESS OR IMPLIED, INCLUDING ANY IMPLIED WARRANTY OF FITNESS FOR A PARTICULAR PURPOSE. BE Power Equipment does not authorize any other party, including authorized BE Power Equipment Dealers, to make any representation or promise on behalf of BE Power Equipment, or to modify the terms, conditions, or limitations in any way. It is the buyer's responsibility to ensure that the installation and use of BE Power Equipment products conforms to local codes. While BE Power Equipment attempts to assure that its products meet national codes, it cannot be responsible for how the customer chooses to use or install the product.

BE POWER EQUIPMENT reserves the right to change or improve the design of this product without assuming any obligation to modify any product previously manufactured.

If you are unable to resolve the warranty claim satisfactorily, contact the BE Power Equipment Warranty Department (1-800-663-8331), detailing the nature of the defect, the name of the Authorized BE Power Equipment Dealer, a copy of the purchase invoice, and applicable serial number.

BE

POWER EQUIPMENT

IF YOU NEED ASSISTANCE WITH THE ASSEMBLY OR OPERATION OF YOUR PRESSURE WASHER, PLEASE CALL 1-800-663-8331 OR VISIT OUR WEBSITE:

BEPOWEREQUIPMENT

.COM

BE

POWER EQUIPMENT

LAVEUSE À PRESSION À L'EAU CHAUDE



HW3024HG12V

HW3524HG12V

MANUEL DE L'OPERATEUR

INDUSTRIAL

SERIES

INTRODUCTION	
Introduction et numéros d'identification	3
AVERTISSEMENTS DE SÉCURITÉ IMPORTANTS	
Avvertissements et symboles de sécurité importants	4
INFORMATIONS GÉNÉRALES	
Caractéristiques du produit et composants	7
INSTALLATION	
Raccordez le tuyau et l'alimentation en eau à la pompe	8
Comment utiliser les buses de pulvérisation	9
OPÉRATION	
Procédures de sécurité et d'inspection avant la mise en service	10
Préparation de la procédure de démarrage	10
Démarrer l'unité	11
Fonctionnement en eau chaude et utilisation de détergent	13
Arrêt de l'unité et stockage	14
MAINTENANCE	
Maintenance spécifique	15
Calendrier d'entretien	16
SCHÉMA D'UNITÉS	
Schéma de nettoyeur haute pression	17
Schéma de commande	18
Schéma de câblage du panneau de commande	19
Schéma du Brûleur	20
Schéma de pompe	21
DÉPANNAGE	
Tableau de dépannage	25
GARANTIE	
Déclaration de garantie	27

INTRODUCTION



ATTENTION: Lisez attentivement le manuel complet avant la première utilisation de votre nettoyeur haute pression.

Utilisation du manuel de l'opérateur

Le manuel de l'utilisateur est une partie importante de votre nettoyeur haute pression. Il doit être lu attentivement avant la première utilisation, et il est souvent recommandé de s'y référer pour s'assurer que les problèmes de sécurité et de service rencontrés sont résolus.

En lisant attentivement le manuel de l'opérateur, vous éviterez toute blessure corporelle ou tout dommage à votre machine. En sachant comment utiliser au mieux cette machine, vous serez mieux placé pour montrer aux autres utilisateurs qui peuvent également utiliser l'appareil.

Ce manuel a été rédigé pour vous guider des exigences de sécurité aux fonctions d'exploitation de votre machine. Vous pouvez à tout moment vous reporter au manuel pour vous aider à résoudre des problèmes liés à certaines fonctions d'utilisation. Enregistrez-le donc à tout moment dans la machine.

Enregistrement des numéros d'identification

Si vous devez contacter un revendeur agréé ou le service à la clientèle (1-800-663-8331) pour obtenir des informations sur l'entretien, indiquez toujours le modèle et les numéros d'identification du produit.

Vous devrez localiser le modèle et le numéro de série de la pompe et enregistrer les informations dans les espaces prévus ci-dessous.

Date d'achat:
Nom du concessionnaire:
Téléphone du revendeur:

NUMÉRO D'IDENTIFICATION DU PRODUIT
Numéro de modèle:
Numéro de série:













C'est le symbole d'alerte de sécurité. Il est utilisé pour vous avertir des risques potentiels de blessures. Respectez tous les messages de sécurité qui suivent ce symbole afin d'éviter des blessures ou la mort.

DANGER	Ceci indique un risque qui, s'il n'est pas évité, entraînera des blessures graves, voire mortelles.
AVERTISSEMENT	Cela indique un risque qui, s'il n'est pas évité, entraînera des blessures graves ou des dommages matériels.
MISE EN GARDE	Cela indique un danger qui, s'il n'est pas évité, pourrait entraîner des blessures mineures ou modérées.
AVIS	Cela indique une situation qui pourrait endommager l'équipement ou d'autres biens. Assurez-vous que tous les messages de sécurité sont observés et respectés.

SYMBOLES DE DANGER ET SIGNIFICATIONS

			
EXPLOSION	FEU	SURFACE CHAUDECHAUDE	PIÈCES MOBILES
			
OBJETS VOLANTS	CHOC ÉLECTRIQUE	FUMÉES TOXIQUES	INJECTION

DANGER

- Utilisez toujours le nettoyeur haute pression dans un endroit bien ventilé, exempt de vapeurs inflammables, de poussières inflammables, de gaz ou d'autres matériaux combustibles.
- Ne rangez pas le nettoyeur à haute pression près d'une flamme nue ou de tout équipement tel qu'un poêle, une fournaise, un chauffe-eau, etc., qui utilise une veilleuse ou un dispositif produisant des étincelles.
- Ne pas utiliser ce nettoyeur haute pression pour pulvériser un produit inflammable.
- Ne pas fumer pendant le remplissage du réservoir de carburant du brûleur.
- Ne remplissez jamais les réservoirs de carburant tant que le nettoyeur haute pression est en marche ou chaud. Laissez l'appareil refroidir pendant deux minutes.
- Faites toujours le plein lentement pour éviter le renversement de carburant qui pourrait provoquer un incendie.
- Laissez toujours de la place pour que le carburant se dilate dans le réservoir d'essence. Ne pas trop remplir.
- Réservoir de carburant du moteur: Si vous utilisez un moteur à essence, faites le plein avec de l'essence uniquement. Ne pas utiliser de diesel ou de kérosène.
- Réservoir de carburant du brûleur (noir): Lorsque vous faites le plein du réservoir de carburant du brûleur, utilisez du mazout / diesel n° 1 ou n° 2 ou du kérosène. Ne pas utiliser d'essence.
- Ne faites pas fonctionner l'appareil si de l'essence ou du carburant diesel ont été renversés. Essayez la laveuse à pression et éloignez-la du renversement. Évitez toute inflammation avant que l'essence ou le diesel ne se soit évaporé.
- Lors de l'activation de la batterie, l'hydrogène et les gaz oxygène dans la batterie sont extrêmement explosifs. Gardez les étincelles et les flammes ouvertes loin de la batterie, en particulier lors du chargement.
- Assurez-vous de débrancher la borne de terre de la batterie avant de procéder à l'entretien. Lorsque vous débranchez le câble de la batterie, commencez par la borne négative. Lorsque vous les connectez, commencez par le câble positif.
- Lorsque vous chargez la batterie, retirez les bouchons d'aération de la batterie.
- Utilisez uniquement un voltmètre ou un hydromètre pour vérifier la charge de la batterie.
- NE PAS faire démarrer la batterie à moins que les deux batteries ne soient de tension et d'ampérage égales.

AVERTISSEMENTS DE SÉCURITÉ IMPORTANTS

⚠ AVERTISSEMENT



Un incendie provoqué par une étincelle de silencieux peut provoquer des blessures graves, voire mortelles. Des blessures graves, voire mortelles, peuvent survenir si la sécurité du système n'est pas correctement entretenue.

- Un pare-étincelles doit être ajouté au silencieux de ce moteur lorsqu'il est utilisé sur un terrain recouvert de cultures agricoles inflammables (foin et céréales), et s'il est utilisé dans ou à proximité de broussailles ou de zones boisées. Le parafoudre doit être maintenu en bon état de fonctionnement par l'opérateur de l'équipement. Dans l'état de Californie, ce qui précède est requis par la loi. (Articles 4442 et 4443 du California Public Resources Code.) D'autres États / provinces peuvent avoir des lois similaires. Les lois fédérales s'appliquent sur les terres fédérales.
- Ce nettoyeur haute pression a une soupape de sécurité. Cela ne devrait jamais être altéré, modifié, supprimé ou rendu inopérant. Si l'appareil tombe en panne, remplacez-le immédiatement par une pièce de rechange d'origine du fabricant.

⚠ AVERTISSEMENT



L'inhalation des gaz d'échappement du brûleur / brûleur ou des vapeurs dangereuses peut provoquer des blessures graves, voire mortelles. Les gaz d'échappement de ce produit contiennent des produits chimiques reconnus par l'État de Californie comme pouvant causer le cancer, des anomalies congénitales ou d'autres problèmes de reproduction.

- Ne jamais utiliser ce nettoyeur haute pression dans un endroit clos. Assurez-vous toujours qu'il y a une ventilation adéquate (air extérieur frais) pour la respiration et la combustion. Cela évitera l'accumulation de gaz dangereux contenant du monoxyde de carbone. Méfiez-vous des zones mal ventilées ou des zones avec des ventilateurs d'extraction pouvant entraîner un mauvais échange d'air. Cet appareil ne doit être utilisé qu'à l'extérieur pour que la ventilation ne soit jamais un problème.
- Suivez toutes les instructions de sécurité fournies avec les matériaux que vous pulvérisiez. L'utilisation d'un respirateur peut être nécessaire lorsque vous travaillez avec certains matériaux. N'utilisez pas ce nettoyeur haute pression pour distribuer des détergents dangereux.

⚠ AVERTISSEMENT



Une pulvérisation à haute pression pénétrant dans la peau peut provoquer des blessures graves voire la mort.

- Restez à l'écart de la buse et du spray! Ne mettez jamais votre main, vos doigts ou votre corps directement sur la buse de pulvérisation.
- Ne dirigez pas le courant de décharge vers vous-même, d'autres personnes ou des animaux domestiques.
- Ce produit ne doit être utilisé que par des opérateurs qualifiés.
- Toujours garder la zone d'opération à l'écart des autres personnes.
- Ne laissez pas les enfants utiliser cet appareil ou rester à proximité pendant que vous l'utilisez.
- Demander des soins médicaux d'urgence si le spray semble avoir pénétré la peau. Ne traitez pas comme une simple coupe!
- Les flexibles haute pression et les conduites de carburant doivent être inspectés quotidiennement pour détecter tout signe d'usure. S'il existe des signes de défaillance, remplacez rapidement tous les flexibles et conduites de carburant suspects afin d'éviter tout risque de blessure dû à la pulvérisation haute pression. Si un tuyau ou un raccord fuit, ne placez pas votre main sur la fuite.
- Ne jamais utiliser le pistolet avec la gâchette maintenue en position ouverte. Pour éviter toute décharge accidentelle, le pistolet à gâchette doit être verrouillé de manière sûre lorsqu'il n'est pas utilisé.
- Avant de retirer la buse de pulvérisation ou de réparer l'appareil, mettez toujours l'appareil hors tension et tirez sur la gâchette du pistolet pour libérer la pression restante (même après l'arrêt de l'appareil, il reste de l'eau à haute pression dans la pompe, le flexible et le pistolet relâchez-le en appuyant sur la gâchette du pistolet)

⚠ AVERTISSEMENT



Le contact avec l'électricité peut entraîner des blessures graves, voire mortelles.

- Ne pas vaporiser directement sur ou dans des installations électriques! Cela inclut les prises électriques, les ampoules électriques, les boîtes à fusibles, les transformateurs et l'appareil lui-même.
- Ne laissez pas les composants métalliques du nettoyeur haute pression entrer en contact avec des composants électriques sous tension.

AVERTISSEMENT



Le contact avec le moteur à essence, le silencieux ou l'échangeur de chaleur peut provoquer des blessures graves. Ces zones peuvent rester chaudes pendant un certain temps après l'arrêt de la laveuse à pression.

- Ne laissez jamais aucune partie de votre corps entrer en contact avec le moteur à essence, le silencieux ou l'échangeur de chaleur.

AVERTISSEMENT



Un mauvais fonctionnement du nettoyeur haute pression ou l'explosion d'accessoires peuvent provoquer des blessures graves si des composants, des accessoires ou des accessoires incorrects sont utilisés.

Des blessures graves, voire mortelles, peuvent survenir si vous essayez de démarrer le nettoyeur haute pression lorsque le système de pompage est gelé.

- Ne jamais ajuster les pressions réglées en usine.
- Ne jamais dépasser la pression nominale maximale autorisée par le fabricant des accessoires.
- Ne laissez aucun tuyau entrer en contact avec l'échangeur de chaleur afin d'éviter tout risque d'éclatement. Évitez de faire glisser les flexibles sur des surfaces abrasives telles que le ciment.
- Utilisez uniquement les pièces de rechange recommandées par le fabricant pour votre nettoyeur haute pression.
- Par temps de gel, l'appareil doit toujours être suffisamment chaud pour éviter toute formation de glace dans la pompe. Ne démarrez pas le nettoyeur haute pression s'il a été transporté dans un véhicule ouvert ou sous-chauffé sans d'abord laisser dégeler la pompe.

AVERTISSEMENT



Des pièces mobiles sur le nettoyeur haute pression peuvent causer des blessures graves à l'opérateur.

- Avant d'effectuer tout réglage, assurez-vous que le moteur est arrêté et que le ou les câbles d'allumage sont débranchés de la ou des bougies. Le fait de retourner la machine manuellement pendant le réglage ou le nettoyage peut démarrer le moteur et la machine avec elle.
- N'utilisez pas l'appareil sans tous les capots de protection en place.

AVERTISSEMENT



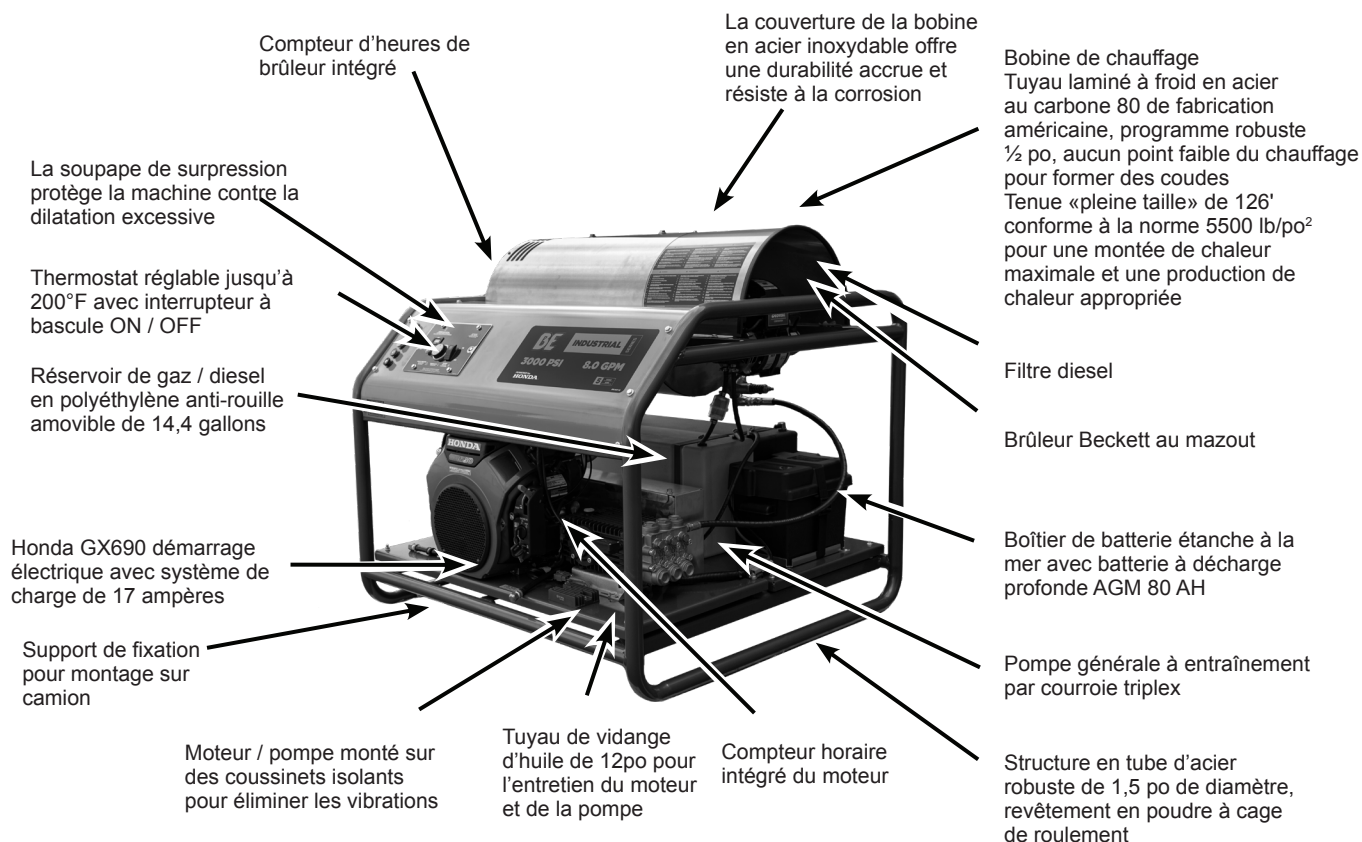
Des détergents en contact avec la peau peuvent provoquer des blessures graves, voire mortelles. Des débris meubles entraînés à grande vitesse par le pistolet de pulvérisation peuvent provoquer des blessures graves.

Une blessure peut se produire si l'opérateur perd son équilibre en raison de la poussée d'eau traversant la buse de pulvérisation.

- N'utilisez jamais de solvants, de détergents hautement corrosifs ni de nettoyants acides avec ce nettoyeur haute pression.
- Des équipements de protection tels que des gants en caoutchouc et des respirateurs sont recommandés, en particulier lors de l'utilisation de détergents de nettoyage.
- Gardez tous les détergents hors de la portée des enfants!
- Portez toujours des lunettes de protection lorsque vous utilisez l'appareil pour vous protéger les yeux des débris volants et des détergents.
- Ne dirigez pas le spray sur des matériaux fragiles tels que le verre.
- Restez alerte: surveillez ce que vous faites. Ne faites pas fonctionner l'appareil si vous êtes fatigué ou sous l'alcool ou la drogue.
- Ne jamais appuyer sur la gâchette sauf si elle est solidement entretenue.
- Ne pas dépasser ou rester sur un support instable.
- Les surfaces humides peuvent être glissantes. Portez des chaussures de protection et gardez un bon équilibre à tout moment.
- Ne jamais appuyer sur la gâchette du pistolet sur une échelle, un toit ou une autre surface instable.
- Tenez toujours fermement l'ensemble pistolet / lance lors du démarrage et de l'utilisation de l'appareil. Si vous ne le faites pas, la lance risque de tomber et de fouetter dangereusement.
- Ne laissez pas l'unité sous pression sans surveillance. Fermer le nettoyeur haute pression et libérer la pression emprisonnée avant de partir.
- N'utilisez pas l'appareil si vous voyez du carburant, de l'huile ou de l'eau s'écouler de la machine. NE PAS reprendre le fonctionnement avant que l'appareil ait été inspecté et réparé par un technicien qualifié.
- Ne transportez pas l'appareil en tirant sur des flexibles ou des cordons.

INFORMATION GÉNÉRALES

CARACTÉRISTIQUES DU PRODUIT ET COMPOSANTS



Description	HW3024HG12V	HW3524HG12V
Note de pression	3000	3500
GPM	8	5.6
Modèle de moteur	HONDA GX690	HONDA GX690
Déplacement	688 CC	688 CC
Tension	12VDC	12VDC
Ampères	17	
Type de brûleur	ADC Beckett	
Déchargeur	VRT100	VRT3
Type de pompe	GP TSF2021	GP TS2021
Buses incluses	0 °, 15 °, 25 °, 40 °, Soaper	
Longueur du tuyau	50'	
Type de départ	Démarrage électrique	
Capacité d'essence	54,5 litres (14,4 gal US)	
Capacité diesel	54,5 litres (14,4 gal US)	
Capacité d'huile moteur	2,0 litres (2,1 qts américains)	
Poids	444 kg (979 livres)	
Diamètre du tuyau	3/8 po	
Matériau du tuyau	Caoutchouc / Tresse double fil	

APPROVISIONNEMENT EN EAU

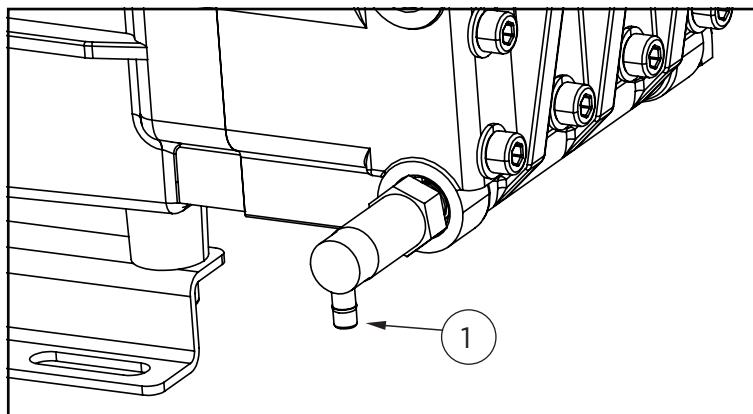
1. Choisissez un tuyau d'alimentation d'eau de qualité supérieure mesurant au moins 3/4po de diamètre intérieur et ne dépassant pas 50 pieds du réservoir d'eau.
2. Fixer un tuyau mesurant 1/2po ID et évalué pour 100Lb/po² minimum à la dérivation de la soupape de déchargement au réservoir d'alimentation en eau
3. Connectez le tuyau à l'entrée de votre pompe haute pression. Fileter la connexion ensemble à la main jusqu'à serrer. Assurez-vous que le raccordement est serré aux deux extrémités (à l'entrée de la pompe et à la source d'alimentation en eau).
4. Installer le filtre d'entrée d'eau entre la pompe et le réservoir.
5. **Ne laissez jamais l'appareil fonctionner sans le tuyau d'eau raccordé et l'alimentation en eau ouverte à fond.**

AVIS

- S'il y a beaucoup de minéraux dans votre eau, il est fortement recommandé d'ajouter un adoucisseur d'eau et un filtre à eau supplémentaire à l'entrée d'eau. Cela aidera à prévenir la possibilité d'une accumulation excessive de tartre à l'intérieur du serpentin de l'échangeur de chaleur.

Les pompes sont refroidies à l'eau. Lorsque la machine est en marche, assurez-vous que la gâchette du pistolet est enfoncée pour permettre un flux constant d'eau fraîche dans et hors de la pompe. Ne laissez pas la machine fonctionner plus de 30 secondes sans appuyer sur la gâchette.

La plupart des pompes sont protégées par une vanne thermique (1). La soupape thermique libère de l'eau si une pompe commence à surchauffer. Cela évitera une défaillance thermique catastrophique. Cependant, la pompe peut avoir été endommagée et nécessiter un entretien, une réparation ou un remplacement. S'il ne se réinitialise pas et que l'eau continue à fuir, il peut être nécessaire de remplacer la soupape thermique.



INSTALLATION

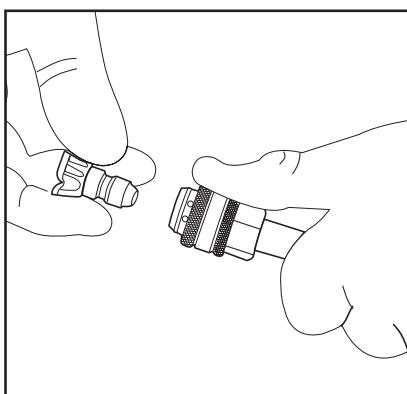


COMMENT UTILISER LES BUSES DE PULVÉRISATION

La connexion rapide sur la rallonge de buse vous permet de choisir entre cinq buses de pulvérisation à connexion rapide différentes. Les buses de pulvérisation peuvent être changées lorsque le nettoyeur haute pression est en marche une fois que le verrou de sécurité de la gâchette du pistolet de pulvérisation est engagé. Les buses de pulvérisation modifient le type de pulvérisation comme indiqué ci-dessus.

SUIVEZ CES INSTRUCTIONS POUR CHANGER LES BUSES DE PULVÉRISATION:

1. Tirez le collier sur le coupleur rapide et retirez la buse de pulvérisation actuelle. Rangez les buses dans le support prévu à cet effet sur la poignée. En stockant les buses dans le support prévu à cet effet, vous éviterez que des débris ne bouchent la pointe.



2. Sélectionnez la buse de pulvérisation souhaitée:
 - Pour un rinçage doux, sélectionnez la buse de pulvérisation blanche à 40 °.
 - Pour un nettoyage léger, sélectionnez la buse de pulvérisation verte à 25 °.
 - Pour le nettoyage à haute pression, sélectionnez la buse de pulvérisation jaune à 15 °.
 - Pour nettoyer la surface, sélectionnez la buse de pulvérisation rouge 0 °.
 - Pour appliquer le détergent, sélectionnez la buse noire. Aucune autre buse ne tirera de savon
3. Tirer sur le collier, insérer la buse de pulvérisation et relâcher le collier. Tirez sur l'embout de pulvérisation pour vous assurer qu'il est bien en place.

CONSEILS D'UTILISATION

- Pour un nettoyage plus efficace, maintenez l'embout de pulvérisation à une distance de 8 à 24 pouces de la surface à nettoyer.
- Si la buse de pulvérisation s'approche trop de la surface à nettoyer, en particulier à l'aide d'une buse de pulvérisation haute pression (rouge ou jaune), vous risquez de l'endommager. N'utilisez pas l'embout de pulvérisation rouge sur le verre. Cela risquerait de briser ou de fissurer le verre.

PROCÉDURES DE SÉCURITÉ ET D'INSPECTION AVANT LA MISE EN SERVICE

1. Cet appareil ne doit être placé que sur une surface plane afin d'assurer une lubrification adéquate de la pompe à eau en cours de fonctionnement. Placer l'appareil sur une surface plane garantira également que le carburant, l'huile et d'autres liquides ne se répandent pas.
2. Ne pas utiliser l'appareil dans une zone:
 - A. Avec une ventilation insuffisante.
 - B. En cas de fuite d'huile ou de carburant.
 - C. Où des vapeurs de gaz inflammables peuvent être présentes.

Cet appareil a plusieurs sources d'inflammation pouvant provoquer un incendie ou une explosion.

2. Si vous utilisez un ensemble de roue, assurez-vous de bloquer les roues pour empêcher l'appareil de bouger pendant le fonctionnement.
3. Ne laissez pas l'appareil exposé à la pluie, à la neige ou au gel. Si une partie de l'appareil gèle, une pression excessive peut s'accumuler dans l'appareil et provoquer son éclatement. Cela risquerait de causer des blessures graves à l'opérateur ou aux passants.
4. Le niveau d'huile de la pompe doit être vérifié avant chaque utilisation. Assurez-vous que l'huile se trouve sur la marque «Plein» sur la jauge ou au centre du regard. Si le niveau semble bas, remplissez avec de l'huile de pompe non détergente SAE30W.
5. Votre nettoyeur haute pression est équipé d'un démarreur électrique. Lors de la première mise en route, protégez bien vos yeux et votre peau lorsque vous remplissez la batterie avec de l'acide. Chargez complètement la batterie pour permettre au démarreur électrique de fonctionner.

EXAMEN MANUEL ET DE SÉCURITÉ

1. Consultez les avertissements «Risque d'explosion ou d'incendie» avant de faire le plein.
2. Localisez les autocollants de sécurité sur votre appareil et tenez compte de leurs avertissements
3. Moteurs: Voir le manuel du moteur inclus pour les besoins en carburant
4. Combustible: Lors du remplissage du réservoir, utiliser du mazout / diesel ou du kérosène n ° 2 ou n ° 2.
5. Vérifiez le niveau d'huile moteur avant de démarrer le moteur.
6. Consultez le manuel du moteur fourni avec ce nettoyeur haute pression pour connaître les procédures de démarrage et d'entretien correctes du moteur.

PRÉPARATION DE LA PROCÉDURE DE DÉMARRAGE

Avant de démarrer l'unité, effectuez les procédures suivantes:

1. Vérifiez le niveau et l'état de l'huile de la pompe et du moteur. Nous recommandons l'huile SAE 10W30 pour les moteurs et l'huile minérale SAE 30 pour les pompes.
2. Inspectez le filtre d'entrée d'eau. Nettoyez ou remplacez si nécessaire.
3. Vérifiez toutes les connexions des flexibles pour vous assurer qu'elles sont bien serrées.
4. Inspectez les fuites d'eau du système, d'huile et de carburant. Si une fuite de carburant est détectée, ne démarrez pas l'unité. Assurez-vous que toutes les pièces endommagées sont remplacées et que les problèmes mécaniques sont résolus avant l'utilisation de l'unité.
5. Inspectez les flexibles haute pression pour vous assurer qu'ils ne sont pas tordus, coupés ou coulés. En cas de coupure ou de fuite, n'utilisez pas le tuyau. Remplacez le tuyau avant de démarrer l'unité. Assurez-vous que toutes les pièces endommagées sont remplacées et que les problèmes mécaniques sont résolus avant l'utilisation de l'unité.

OPÉRATION

DÉMARRER L'UNITÉ (EAU FROIDE)

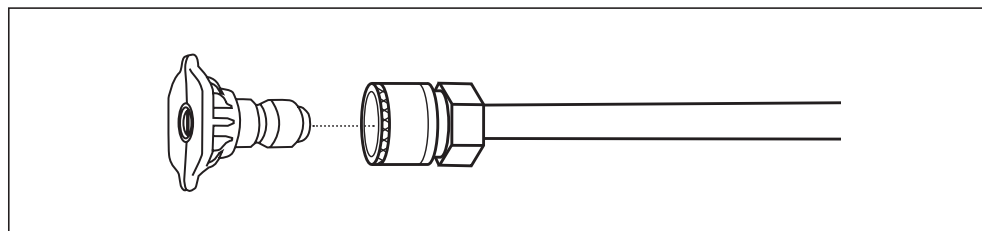
Pour démarrer votre nettoyeur haute pression pour la première fois, suivez ces instructions pas à pas. Ces informations de départ s'appliquent également si vous avez laissé le nettoyeur haute pression au repos pendant au moins une journée.

1. Assurez-vous que l'appareil est de niveau et placé sur une surface solide.
2. Raccordez le tuyau d'arrosage à l'entrée d'eau de la pompe de la laveuse à pression. Pour ce faire, vissez l'extrémité du tuyau dans l'admission à la main jusqu'à ce qu'elle soit bien serrée.
3. Fixer la rallonge de la baguette au pistolet. Serrer à la main.

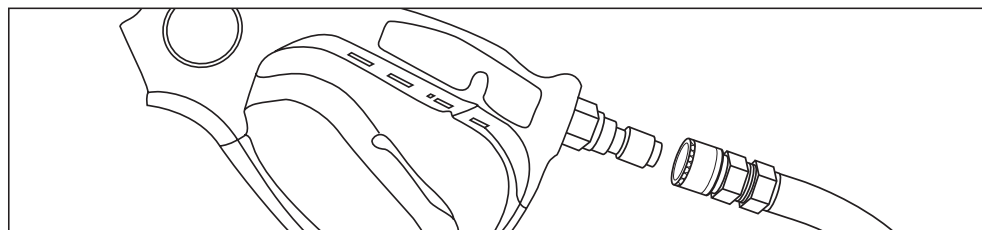
AVIS

NE PAS faire fonctionner la pompe sans que l'alimentation en eau soit branchée et allumée. Si cette règle n'est pas respectée, la pompe sera endommagée. Les dommages causés par le fonctionnement de la pompe sans eau ne sont pas couverts par la garantie.

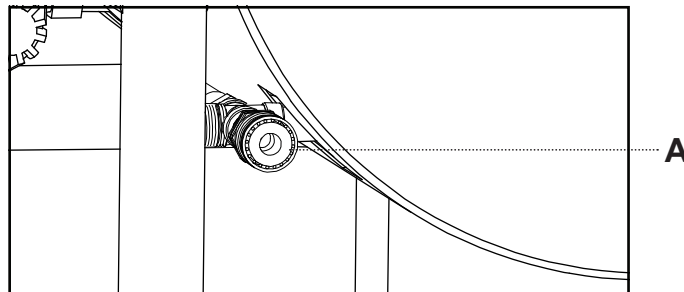
4. Choisissez la buse de pulvérisation souhaitée, tirez le collier d'extension de la buse vers l'arrière, insérez la buse de pulvérisation et libérez le collier. Tirez sur l'embout de pulvérisation pour vous assurer qu'il est bien en place. Voir Conseils de pulvérisation à la page 9 pour plus d'informations.



5. Abaisser le collier du coupleur à connexion rapide, glisser sur le connecteur du pistolet et lâcher le collier. Tirez sur le tuyau pour vous assurer que la connexion est serrée.



6. Branchez l'autre extrémité du tuyau haute pression à la sortie haute pression ("A" sur le schéma ci-dessous) de la pompe. Abaissez le collier du raccord rapide, glissez sur la pompe et lâchez le collier. Notez que certaines pompes exigent que le tuyau soit fileté. Tirez sur le tuyau pour vous assurer que la connexion est sécurisée.



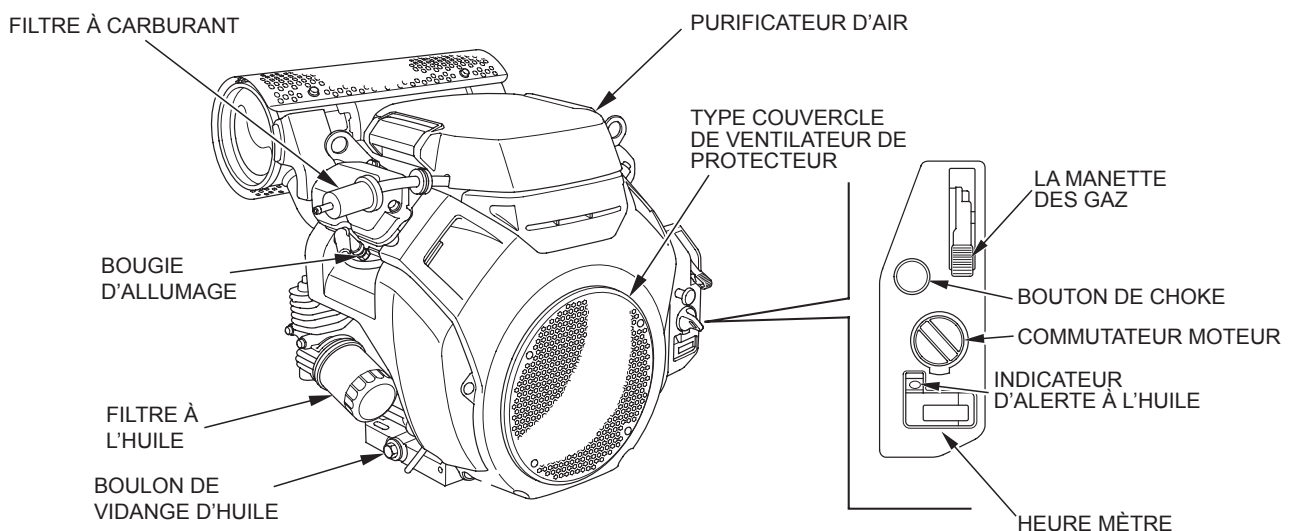
* La pompe utilise SAE30
Huile minérale non détergente

7. Ouvrez l'alimentation en eau si vous ne l'avez pas déjà fait. Dirigez le pistolet dans une direction sûre et appuyez sur la gâchette pour purger la pompe d'air et de débris. Faites-le jusqu'à ce que l'eau coule à un rythme constant. Continuez à maintenir la gâchette du pistolet enfoncée pendant le démarrage de la machine pour vous assurer qu'il n'y a pas d'accumulation de pression.
8. Jetez un dernier coup d'œil à toutes les connexions pour vous assurer qu'il n'y a pas de fuites ou de connexions desserrées. S'il y a des fuites dans les tuyaux, ils doivent être remplacés.

**IMPORTANT: NE PAS siphonner les eaux stagnantes pour l'alimentation en eau.
Assurez-vous que l'interrupteur du brûleur est éteint**

9. Pour démarrer la machine, localisez le commutateur d'allumage électrique sur le côté droit du moteur. Insérez la clé et tournez-la sur la position "marche" "jusqu'à ce que l'unité démarre. Ne maintenez pas le contacteur en position de marche pendant plus de 5 secondes, car cela pourrait endommager le moteur. Vérifiez que le robinet de carburant est en position ON et que, si le démarrage est froid, déplacez le levier de l'étrangleur en position «fermé». Reportez-vous au diagramme des composants ci-dessous pour connaître l'emplacement de ces pièces.

Quelle que soit la méthode de démarrage utilisée, rappelez-vous de ramener progressivement le levier de starter sur la position «ouvert» une fois le moteur en marche.



*** Le moteur utilise l'huile SAE 10W30**

OPÉRATION

OPÉRATION EAU CHAUDE

Maintenant que l'unité fonctionne, elle fonctionne comme un nettoyeur haute pression à eau froide. **Lorsque vous souhaitez passer à l'eau chaude, placez l'interrupteur du brûleur sur «ON».**

NOTICE

Lors de la première mise en route, l'eau commencera à chauffer dans environ 20 secondes. Il atteindra sa température maximale dans les 2 1/2 minutes, à condition que la gâchette soit enfoncée de manière continue. Le brûleur ne s'allume pas lorsque la gâchette est relâchée.

⚠ AVERTISSEMENT

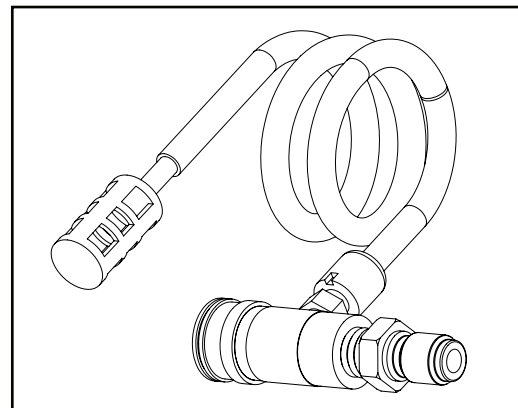
La température de l'eau peut devenir extrêmement chaude pendant le fonctionnement. Soyez prudent lorsque vous utilisez le pistolet de pulvérisation.

APPLIQUER DU DÉTERGENT

NOTICE

Cette fonctionnalité est conçue pour être utilisée uniquement avec des détergents doux. Étant donné que la solution de nettoyage passe à travers le serpentin de l'échangeur thermique, n'utilisez PAS de produits corrosifs car ils provoqueraient des dommages considérables et constitueraient un risque considérable pour la sécurité.

1. Préparez la solution de détergent conformément aux instructions de l'étiquette. Ne pompez jamais d'acides, de liquides alcalins, de produits abrasifs ou de solvants à travers l'appareil. En raison des caractéristiques inconnues et souvent corrosives de nombreux détergents couramment utilisés dans l'industrie du nettoyage de nettoyeurs haute pression, il est recommandé d'utiliser uniquement des détergents doux avec cet appareil.
2. Immergez complètement le tamis de détergent dans la solution de détergent.
3. Pour appliquer la solution, installez la buse à savon noir sur la pointe du pistolet pulvérisateur, déverrouillez le pistolet et appuyez sur la gâchette. Après quelques instants, un mélange de détergent et d'eau sortira de la buse. Commencez à pulvériser la partie inférieure de la surface à nettoyer et déplacez-vous vers le haut en effectuant de longs mouvements qui se chevauchent. Appliquez de bas en haut aide à éviter les traînées. Laissez tout tremper brièvement.
4. Évitez de travailler sur des surfaces chaudes ou à la lumière directe du soleil afin de minimiser les risques de séchage du détergent, ce qui pourrait endommager les surfaces. Assurez-vous de rincer une petite section à la fois.
5. Pour rincer, verrouillez le pistolet à gâchette en position «OFF». À partir de là, placez bien la buse de pulvérisation blanche ou verte à l'extrémité du pistolet. Déverrouillez la gâchette et pulvériser. Il faudra environ 30 secondes pour purger tout le détergent de la ligne. Pour de meilleurs résultats de rinçage, commencez par le haut et descendez.
6. Siphonnez un gallon d'eau dans le système d'injection de détergent à basse pression après chaque utilisation. Cela évite la possibilité de corrosion ou de résidus de détergent causant des problèmes mécaniques lors de la prochaine utilisation.



ÉTEINDRE L'APPAREIL

1. Placez l'interrupteur du brûleur sur la position «OFF».
2. Appuyez sur la gâchette et vidangez l'eau pendant trois minutes pour refroidir l'échangeur thermique et le flexible haute pression. Des périodes de refroidissement insuffisantes pour le flexible haute pression provoqueront une usure excessive et une rupture éventuelle du flexible.
3. Ne fermez pas le starter pour arrêter le moteur. Un retour de flamme ou des dommages au moteur peuvent survenir.
4. Déplacez la clé de contact du moteur en position OFF.
5. Fermer l'alimentation en eau et appuyer sur la gâchette du pistolet pour relâcher la pression emprisonnée.

Débranchez et vidangez le flexible haute pression, le pistolet et la lance. Nettoyez l'appareil et rangez-le dans un environnement au-dessus du point de congélation.

STOCKAGE ET HIVERNAGE

Si vous n'envisagez pas d'utiliser le nettoyeur haute pression pendant plus de 30 jours, vous devez préparer le moteur et la pompe pour un stockage à long terme. Voir le manuel d'utilisation du moteur pour des instructions spécifiques à ce sujet.

Lorsque vous rangez l'appareil en hiver, il est important de vous assurer qu'il est stocké dans le bon environnement. Assurez-vous que la zone de stockage reste au-dessus du point de congélation par temps froid et essayez de limiter la quantité de poussière accumulée sur l'appareil via un capot.

AVERTISSEMENT



Les couvertures de stockage peuvent être inflammables.

- NE placez PAS un couvercle de rangement sur un nettoyeur haute pression chaud.
- Laissez l'équipement refroidir pendant au moins 30 minutes avant de placer le capot sur l'équipement.

Vous devrez vous assurer que le carburant est vidangé du moteur avant le stockage. Pour les étapes nécessaires à cette opération, voir le manuel d'utilisation du moteur.

Une fois que l'unité a été stockée et que l'essence a été vidangée, la dernière chose à faire est d'hiverner votre pompe. Cela peut être fait de deux manières:

- BE Solution «Pump Saver» (P / N: 85.490.046). Ceci est une solution antigel utilisée avant le stockage de l'unité. Il s'enduit à l'intérieur de la pompe pour éviter que l'eau résiduelle ne gèle. Pour utiliser BE Pump Saver, suivez les instructions écrites sur le flacon. La congélation de l'eau dans la pompe endommagera les joints et autres pièces internes. Les dommages dus au gel ne sont pas couverts par la garantie.

MISE EN GARDE

Assurez-vous que les tuyaux et le pistolet de pulvérisation ne sont pas fixés à la pompe lors de l'application de l'économiseur de pompe ou de l'utilisation de l'outil d'éjection. Le fait de fixer un tuyau réduit considérablement la quantité d'eau / débris retirée de la pompe et du serpent.

NOTICE

Vous devez protéger votre appareil du gel.

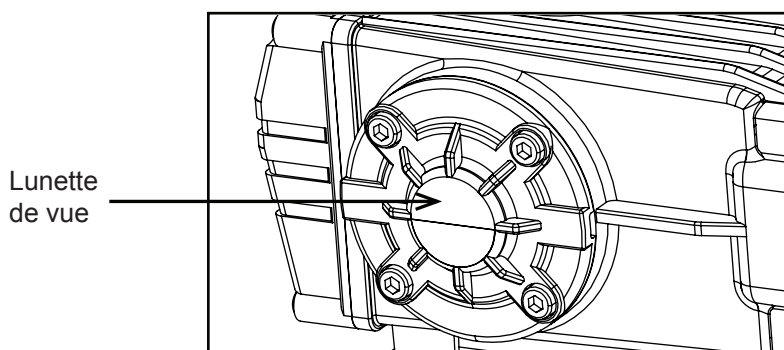
1. Dans le cas contraire, votre pompe sera définitivement endommagée et votre unité inutilisable.
2. Les dommages dus au gel ne sont pas couverts par la garantie.

MAINTENANCE

MAINTENANCE SPÉCIFIQUE

MOTEUR: Les instructions relatives au moteur qui accompagnent votre appareil détaillent les procédures spécifiques d'entretien du moteur. Suivre les recommandations du fabricant du moteur prolongera la durée de vie du moteur et garantira les meilleures performances possibles.

POMPE: Changer l'huile de la pompe après les 50 premières heures de fonctionnement. Après le changement initial, tous les 3 mois ou toutes les 250 heures sont recommandés. Si l'huile semble sale ou laiteuse, des changements plus fréquents peuvent être nécessaires. Utilisez de l'huile pour pompe non détergente SAE 30 et ne remplissez que jusqu'au centre du voyant d'huile. Ne pas trop remplir.



BUSE: L'écoulement d'eau à travers la buse de pulvérisation érodera l'orifice avec le temps, le rendant plus grand. Cela entraînera une réduction de la pression. Les buses doivent être remplacées chaque fois que la pression est inférieure à 85% du maximum. La fréquence de remplacement dépendra de variables telles que la teneur en minéraux de l'eau et le nombre d'heures d'utilisation de la buse. Tous les 3 à 6 mois ont tendance à être un intervalle standard pour le remplacement.

CALENDRIER D'ENTRETIEN

PROCÉDURE		DU QUOTIDIEN	3 MOIS	6 MOIS	9 MOIS	12 MOIS
Vérifier le niveau d'huile moteur		X				
Changez l'huile du moteur	*****		X	X	X	X
Vérifiez le niveau d'huile de la pompe à eau		X				
Changer l'huile de la pompe à eau	**		X	X	X	X
Inspection de fuite d'huile		X				
Inspection de fuite de carburant		X				
Inspection de fuite d'eau		X				
Inspection de tuyau		X				
Inspection du tamis d'entrée d'eau		X				
Vérifiez le filtre à carburant			X	X	X	X
Remplacer le filtre à carburant				X		
Inspecter les courroies			X	X	X	X
Remplacer la buse haute pression	***		X	X	X	X
Inspecter le filtre de la pompe à carburant	*					X
Remplacer le pistolet	*					X
Vérifiez le réglage de l'air du brûleur			X	X	X	X
Vérifier les électrodes du brûleur	*					X
Tester la pression de l'eau	*		X	X	X	X
Tester la pression de carburant	*		X	X	X	X
Test de la température de l'eau	*		X	X	X	X
Bobine de détartrage	****					X

* Doit être effectué par un technicien de service autorisé.

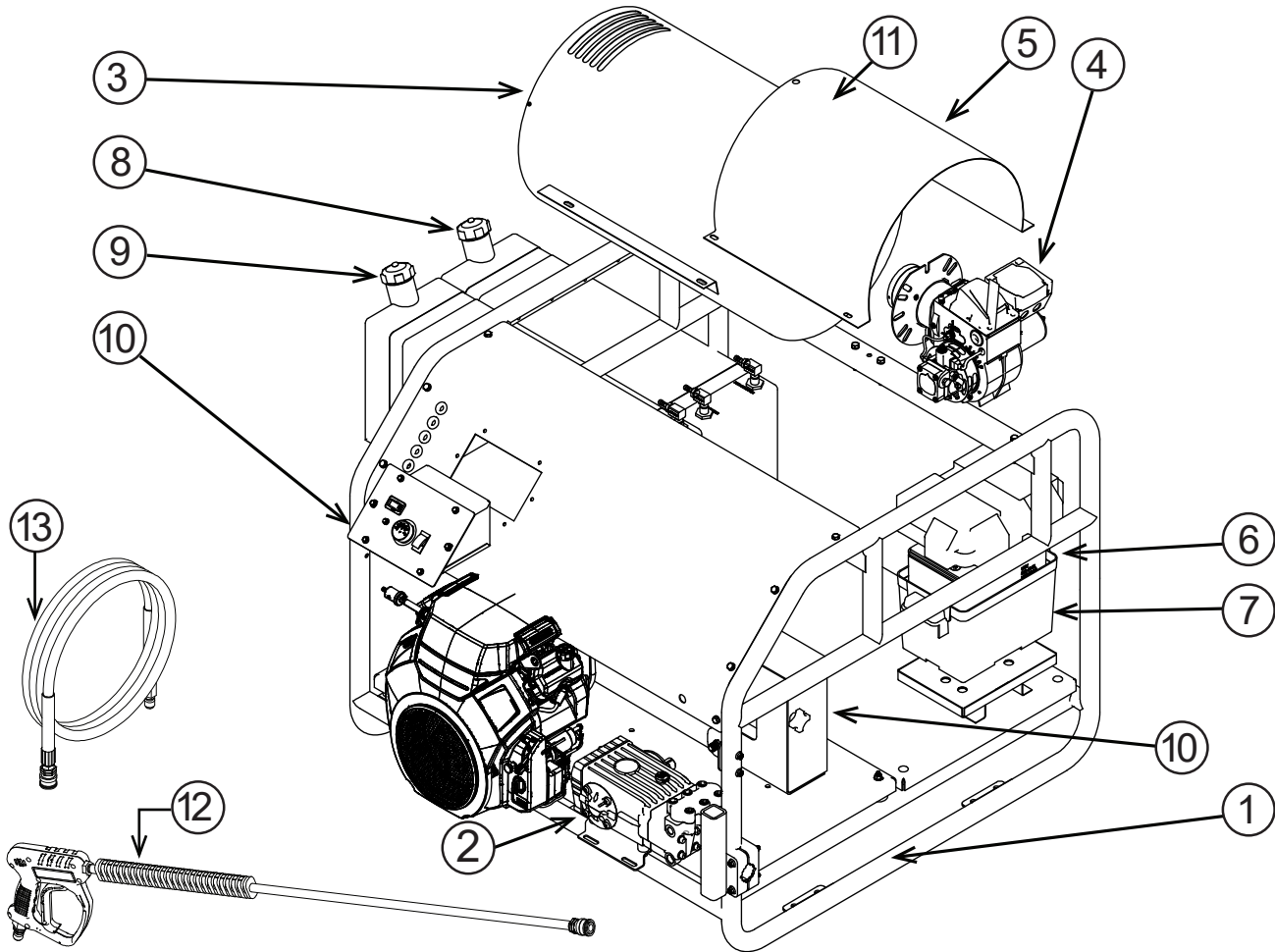
** La pompe à huile doit être changée après les 50 premières heures de fonctionnement, puis toutes les 250 heures ou tous les 3 mois, selon la première éventualité.

*** La buse haute pression doit être remplacée chaque fois que la pression chute à moins de 85%.

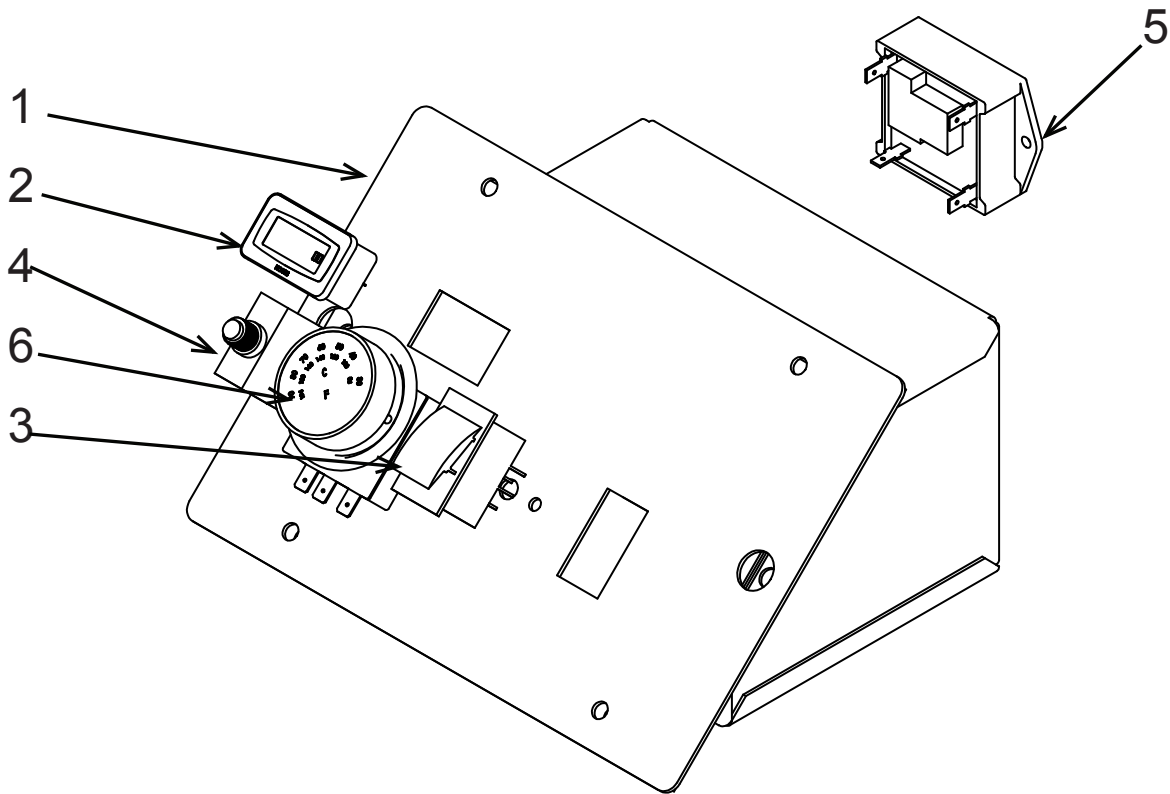
**** L'accumulation de tartre variera en fonction de la teneur en minéraux de l'eau et de la quantité d'utilisation. Le détartrage peut aller d'une maintenance hebdomadaire à annuelle.

***** L'huile moteur doit être changée après les 8 premières heures de fonctionnement, puis toutes les 50 heures ou tous les 3 mois, selon la première échéance.

SCHÉMA DE NETTOYEUR HAUTE PRESSION



ARTICLE #	PARTIE #	DESCRIPTION	QTÉ	PARTIE #	DESCRIPTION	QTÉ.
1	85.600.220	MONTAGE DU CADRE	1	AL607	DÉCHARGEUR, VRT3, 5,6 GPM (3524HG12V)	1
2	85.130.071B	POMPE GÉNÉRALE TSF2021 8GPM (3024HG12V)	1	85.300.033	DÉCHARGEUR, VRT100, 8,0 GPM (3024HG12V)	1
	85.130.026B	POMPE GÉNÉRALE TS2021 5.6GPM (3524HG12V)	1	85.300.082	INTERRUPTEUR DE PRESSION	1
3	59.000.200	BOBINE, LAVAGE À CHAUD 5,6 GPM (3524HG12V)	1	85.300.088	SOUPAPE DE DÉTENTE	1
	59.000.208	BOBINE, LAVAGE À CHAUD 8GPM (3024HG12V)	1	47.002.045	COURROIES 3VX450	4
4	59.110.016	BRÛLEUR / (SÉRIE 12V ADC)	1	59.000.104	FILTRE À CARBURANT	2
5	59.000.201	CAPOT DU BRÛLEUR; LAVAGE À CHAUD	1	85.550.063	FILTRE À AIR MOTEUR	1
6	85.603.101	BOITIER BATTERIE POUR SKID HW	1	85.550.064	FILTRE À HUILE MOTEUR	1
7	85.603.100	BATTERIE, AGM, 12V, 80AH	1	85.550.065	BÂTON DIP MOTEUR	1
8	85.601.040	RÉSERVOIR DE CARBURANT DIESEL 14,4 GALLONS	1	85.550.066	BOUGIE D'ALLUMAGE MOTEUR	2
9	85.601.041	14.4 RÉSERVOIR DE CARBURANT À ESSENCE	1	85.550.008L	SILENCIEUX	1
10	85.602.222	GARDE-CEINTURE	1			
11	59.000.008	ISOLATION	1			
12	85.205.066H	PISTOLET	1			
13	85.238.251	TUYAU	1			

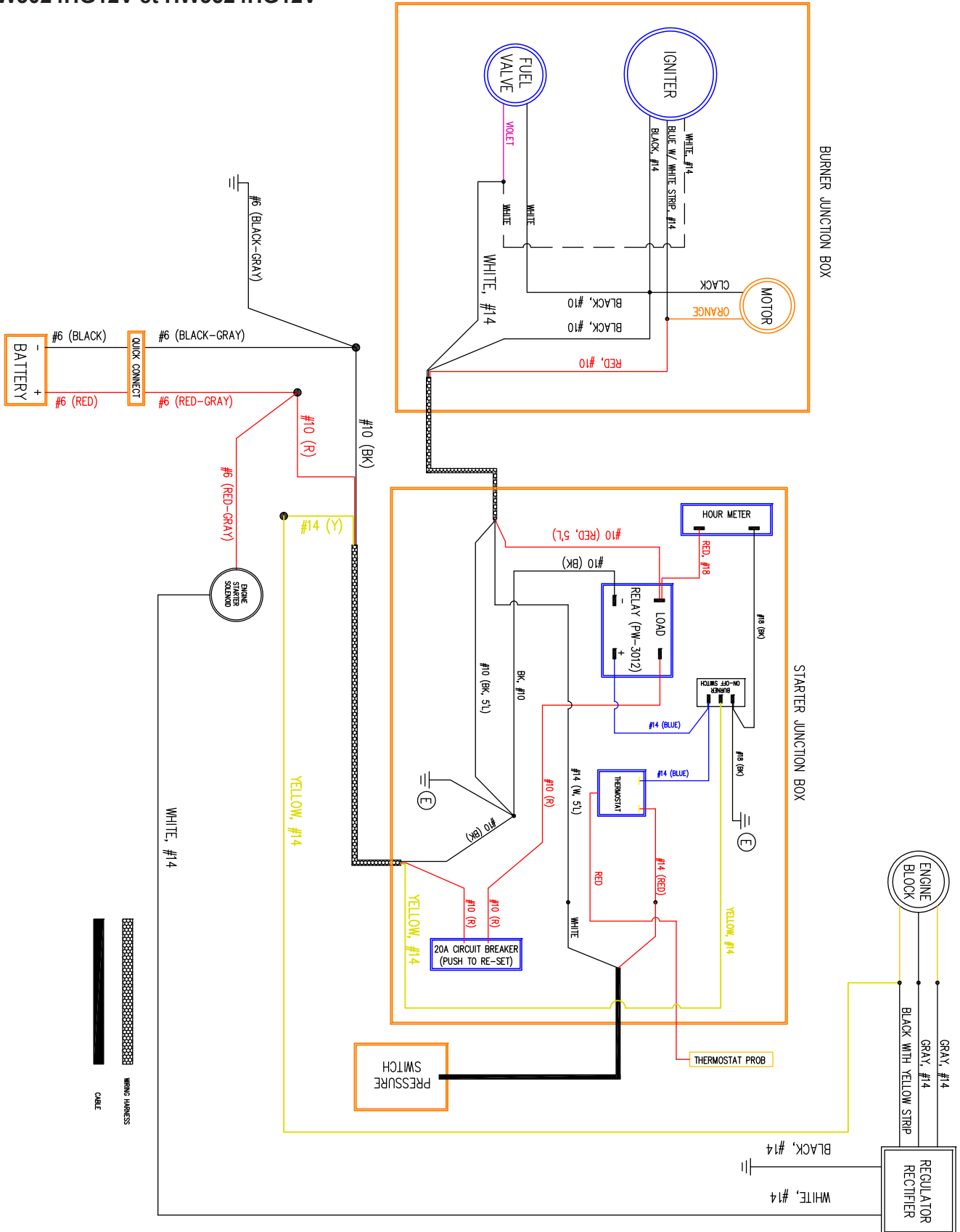


ITEM NO.	NUMÉRO D'ARTICLE	DESCRIPTION	QTY.
1	85.600.231	BOÎTIER DE COMMANDE DU BRÛLEUR	1
2	59.000.206	HEURE MÈTRE	1
3	59.000.103	COMMUTATEUR ON / OFF POUR BRULEUR 12V (SERIE ADC)	1
3	59.000.205	COMMUTATEUR ON / OFF POUR BRULEUR 120V (SERIE AFG)	1
4	85.504.026	APPUYER SUR RESET 25A DISJONCTEUR (12V)	1
5	59.000.102	RELAIS BASSE TENSION (12V)	1
6	85.400.071	THERMOSTAT	1

SCHÉMA DE CÂBLAGE DU PANNEAU DE COMMANDE



HW3024HG12V et HW3524HG12V



ADC Beckett Brûleur

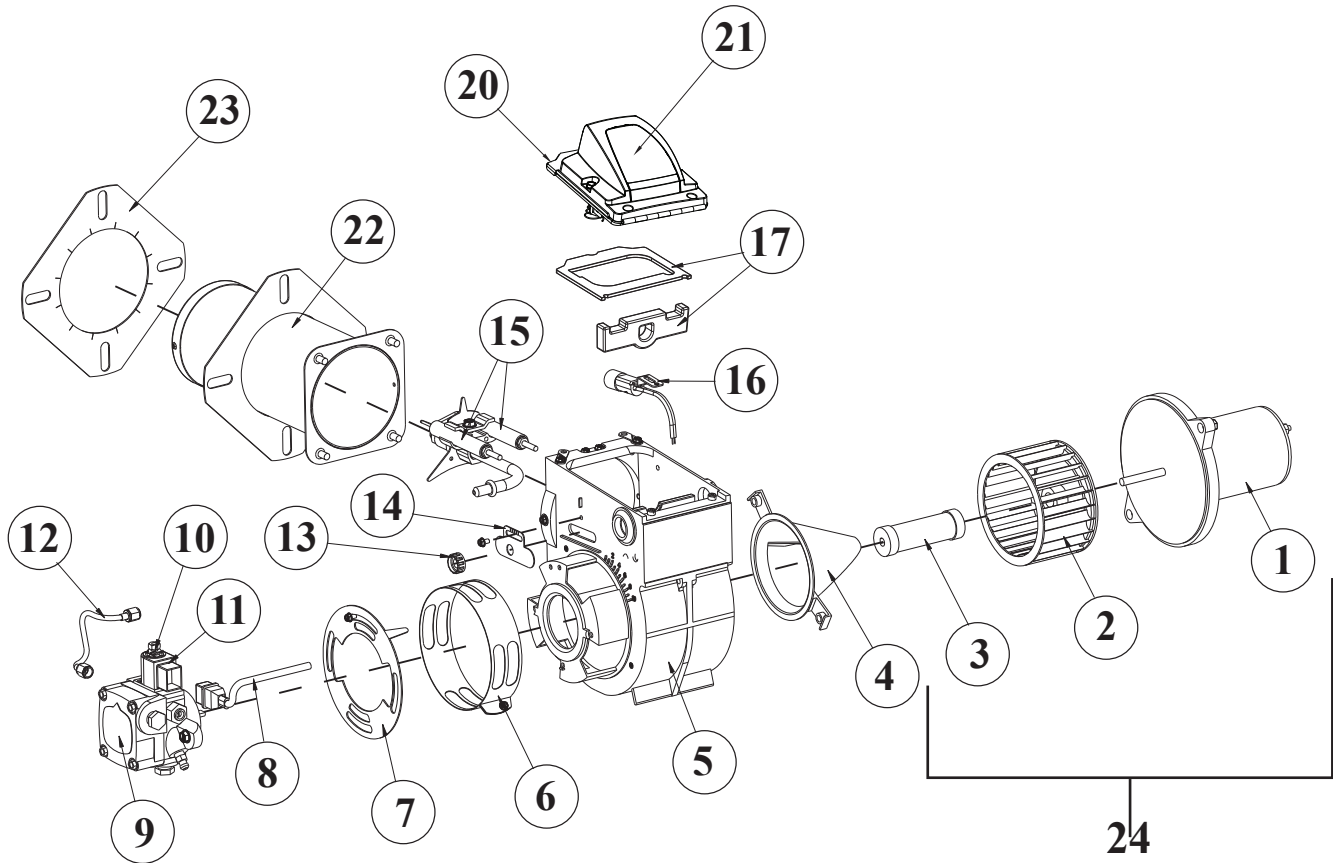


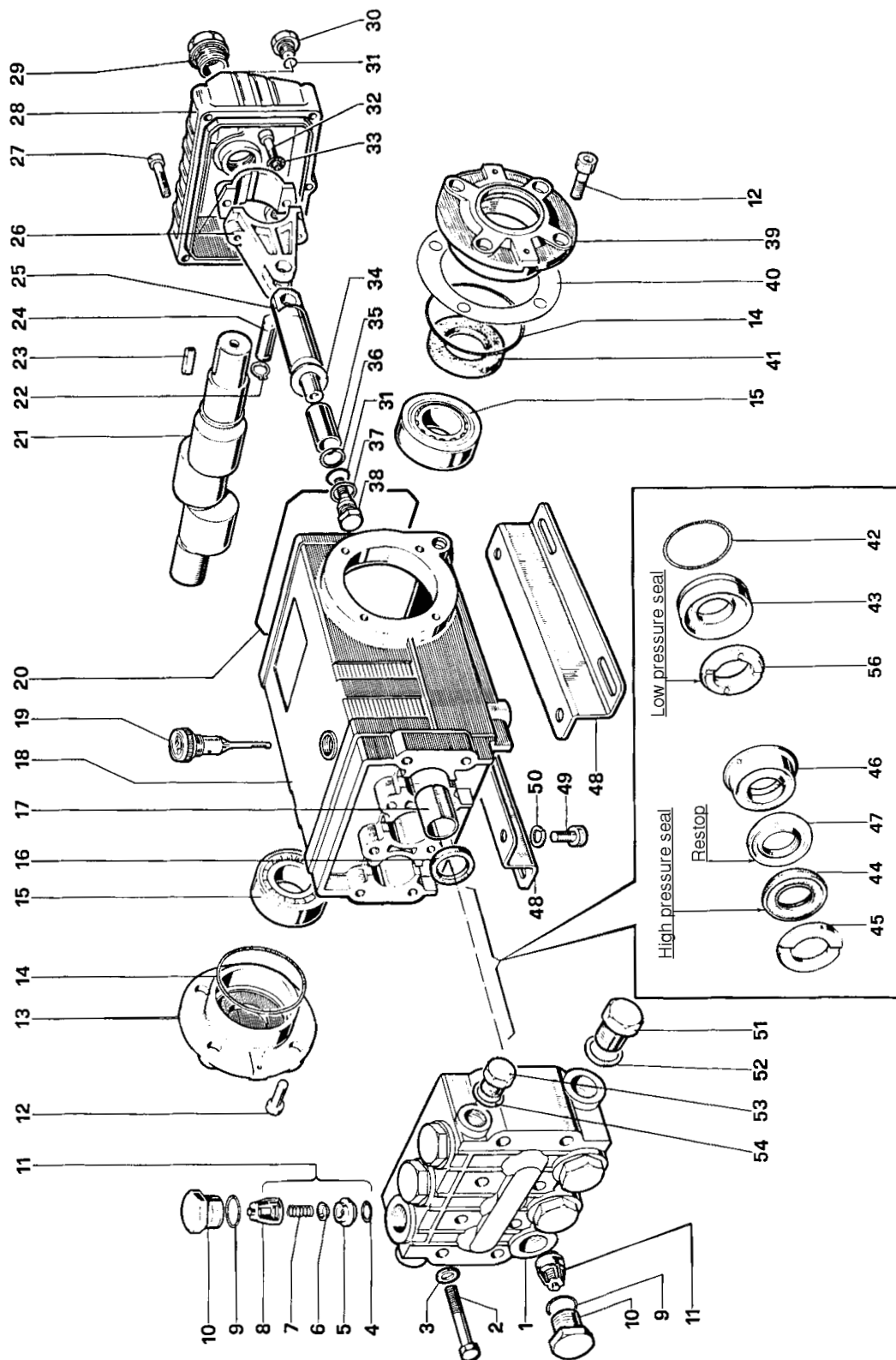
Illustration #	Description
1	Docteur moteur
2	Roue de ventilateur
3	Couplage
4	Guide de l'air
5	Logement de brûleur - noir
6	Air Band
7	Obturateur d'air - 4 fentes Obturateur d'air - 8 emplacements
8	Cordon ensemble
9	Pompe (CleanCut)
10	Tige de valve
11	Bobine de 12 volts
12	Tubes de cuivre 8 "
13	Ecrou de spline de plaque de rosace
14	Plaque de rosace
15	Kit d'électrodes de plus de 3-5 / 8 "
16	Détecteur de cellules cad
17	Kit de joint d'allumage

Illustration #	Description
20	Allumeur Assy avec plaque de base
21	Allumeur seulement
22	Tube à air
23	Joint de montage de bride
24	Kit moteur avec roue soufflante et couplage
Pas montré	Kit de mise au point pour tubes de 30 et 35 longueurs

Illustration #	PART #	Description
9	59.110.000	Pompe à essence
8,10,11	59.110.001	Solénoïde de carburant
15	59.110.002	Assemblage d'électrode
21	59.110.003	Allumeur
1	59.110.004	Moteur de la soufflante
3	59.110.005	Accouplement d'arbre

SCHÉMA DE POMPE

GP TS2021



GP TS2021

NUMÉRO D'ARTICLE

ITEM	Part No.	DESC	KIT #	QTY	ITEM	Part No.	DESC	KIT #	QTY	ITEM	Part No.	DESC	KIT #	QTY
1	47120841	Collecteur		1	19	98210600	Dip Stick Huile		1	37	96728000	Laveuse	6	3
	47120941	Collecteur nickelé TS2021-N			20	90392200	Joint torique, couvercle		1	38	47219566	Vis, plongeur	6	3
2	99320600	Vis M8 x 70		8	21	47021735	Vilebrequin		1	39	47150022	Couvercle de carter		1
3	96702000	Rondelle, M8.5		8	22	90055700	Anneau, pression		6	40	97567800	Shim		2
4	90384100	Joint torique, .674 x .103	1	6	23	91489000	Clé		1	41	90164800	Joint, huile	3	1
5	36200366	Valve de siège	1	6	24	97738000	Goupille, poignet		3	42	90361600	Joint torique, 1 364 x 0,070	10, 28	3
6	36200176	Plaque, valve	1	6	25	47050554	Guide Plongeur		3	43	47080570	Retenue, emballage	10, 28	3
7	94737600	Printemps	1	6	26	47030001	Tige, connexion		3	44	90270500	Emballage	28, 69	3
8	36200251	Guide, soupape	1	6	27	99191200	Vis M6 x 30		5	45	47100051	Bague, tête, M20	7, 28	3
9	90384700	Joint torique, 0,797 x 0,103	4, 5	6		99183700	Vis M6 x 14 T1011		5	46	47216970	Anneau Intermédiaire	28, 71	3
10	98222000	Casquette	4	6	28	47160122	Couvercle de carter		1	47	90270400	Restop Ring	28, 69, 71	3
	98222200	Capuchon Ni-Plaqué TS2021-N	5			47160022	Couvercle carter T1011			2	48	47200074	Pieds de pompe	
11	36703201	Assemblage de la valve	1	6	29	97596800	Indicateur d'huile		1	49	99364400	Vis M10 x 18		4
12	9933900	Vis M8 x 16		8	30	98204100	Casquette		1	50	96710600	Rondelle, M10.2		4
13	47150122	Couvercle de carter		1	31	90358500	Joint torique, .426 x .070	6	4	51	98217600	Casquette		1
14	90391300	Joint torique, 2 675 x 0,103		2	32	99309900	Vis M8 x 35		6	52	96751400	Laveuse, M21.5		1
15	640047	Roulement à rouleaux		2	33	96701400	Laveuse, M8.4		6	53	98210000	Casquette		1
16	90162500	Joint, huile	2	3	34	96728600	Rondelle, M14	6	3	54	96738000	Laveuse, M17.5		1
17	90912600	Douille		3	35	47040409	Plongeur, 20mm		3	56	90271000	Joint, Basse pression, 20mm	28, 69	3
18	47010522	Carter moteur		1	36	90506700	Bague, sauvegarde	6	3					

KIT DE RÉPARATIONS

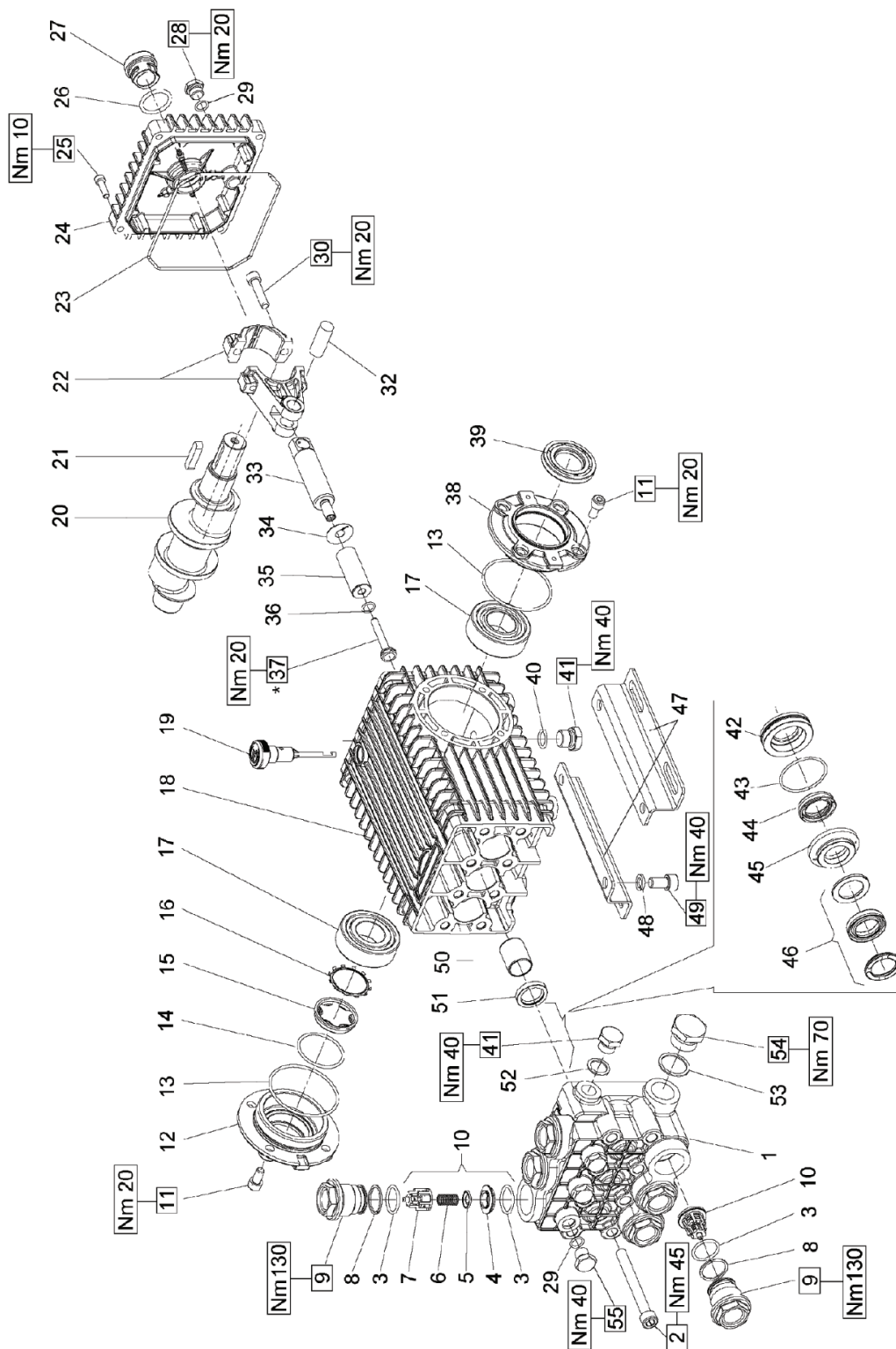
SPEC DE COUPLES*

KIT NO.	1	2	3	4	5	5	7	10	28	69	71	Position	Ft. lbs.
Numéros POS. inclus dans le kit	4, 5, 6, 7, 8, (11)	16	41	9, 10	9, 10	31, 34, 36, 37, 38	45	42, 43	42, 43, 44, 45, 46, 47, 56	44, 47, 56	46, 47		
Nombre d'assemblages dans le kit	6	3	2	6	6	6	3	6	1	3	3		
Nombre de bouteilles que le kit servira	3	3	-	3	3	3	3	3	1	3	3		
												2	22.1
												10	73.7
												12	14.7
												27	7.3
												29	12.3
												30	14.7
												32	14.7
												38	14.7
												49	29.4
												51	29.4
												53	29.4

*Diminue le couple de 20% si les filetages sont lubrifiés

SCHÉMA DE POMPE

GP TSF2021



GP TSF2021

NUMÉRO D'ARTICLE

ITEM	Part No.	DESC	QTY	ITEM	Part No.	DESC	QTY	ITEM	Part No.	DESC	QTY
1	66124541	Collecteur Ø 18mm	1	22	66030001	Bielle complète	3	43	90361600	Joint torique, Ø 34.65x1.78	3
	66120041	Collecteur Ø 20mm	1	23	90392200	Joint torique, Ø133.02x2.62	1	44	90265200	Joint LP, Ø 18mm	3
	66120141	Collecteur Ø 22mm	1	24	66160022	Couverture arrière	1		90269000	Joint LP, Ø 20mm	3
	66120241	Collecteur Ø 24mm	1	25	99188400	Vis M6x20	4		90271500	Joint LP, Ø 22mm	3
	66124641	Collecteur Ø 28mm	1	26	90405100	Joint torique, 26.58x3.53	1		90273800	Joint LP, Ø 24mm	3
2	99380100	Serre-tête M10 x 90	8	27	63210051	Indicateur de niveau d'huile	1		90275300	Joint LP, Ø 28mm	3
3	90385700	Joint torique, Ø 23,81 x 2,62	12	28	98204100	Connecteur G1 / 4x9	1	45	66216370	Bague intermédiaire Ø 18mm	3
4	36203366	Siège de soupape	6	29	701013	Joint torique, Ø 426x,070	4		66216070	Bague intermédiaire Ø 20mm	3
5	36203476	Soupape Poppet	6	30	99309900	Vis M8x35	6		66216170	Bague intermédiaire, Ø 22mm	3
6	94738800	Ressort De Valve Ø10x18x18.5	6	32	97740500	Goupille De Poignet, 14x39	3		66216470	Bague intermédiaire Ø 24mm	3
7	36203551	Guide de soupape	6	33	6605064	Guide de piston	3		66220070	Bague intermédiaire Ø 28mm	3
8	90516500	Bague Anti-Ext Ø24.7x29x1.5	6	34	96710100	Rondelle de doigt	3	46	90265500	Joint HP, Ø 18mm	3
9	66130041	Fiche, M32x1.5x29.5	6	35	66040309	Plongeur, Ø 18mm	3		90269200	Joint HP, Ø 20mm	3
10	36712701	Valve Assy, complète	6		66040009	Plongeur, Ø 20mm	3		90271700	Joint HP, Ø 22mm	3
11	99303900	Vis M8 x 16	8		66040109	Plongeur, Ø 22mm	3		90274100	Joint HP Ø 24mm	3
12	47151222	Couverture	1		66040409	Plongeur, Ø 24mm	3		90275400	Joint HP, Ø 28mm	3
13	90391300	Joint torique Ø67.95x2.62	2		55041009	Plongeur, Ø 28mm	3	47	47200074	Rail de pompe	2
14	90387700	Joint torique, Ø39.34x2.62	1	36	90358400	Joint torique, plongeur Ø 10.82 x 1.78, Ø 18mm 3	3	48	96710600	Rondelle M10	4
15	70211801	Viseur d'huile	1	37	66219566	Boulon de plongeur	3	49	99364400	Vis M10 x 18	4
16	90075600	Clip de retenue	1	38	47151022	Capot latéral, PTO	1	50	90912600	Bague de guidage	3
17	91838000	Portant	2	39	90164800	Joint, arbre	1	51	909162500	Joint, tige de piston	3
18	66010022	Carter moteur	1	40	90383300	Joint torique, Ø 13,95 x 13	2	52	96738000	Joint, Aluminium 3/8 "	1
19	98210600	Jauge À Ventilation	1	41	98210000	Fiche 3/8 x 13	2	53	96770000	Laveuse	1
20	66021035	Vilebrequin, course de 19mm	1	42	66080370	Joint de retenue, Ø 18mm	3	54	98226800	Fiche mâle G3 / 4 "x16	1
		Double arbre			66080070	Joint de retenue, Ø 20mm	3	55	98204300	Fiche 1/4 "x 13	3
	66020035	Vilebrequin, course de 19mm	1		66080170	Joint de retenue, Ø 22mm	3				
	66020435	Vilebrequin, course de 21 mm	1		66080470	Joint de retenue, Ø 24mm	3				
21	91489200	Clé, 9x7x35	1		66082570	Joint de retenue, Ø 28mm	3				

KIT DE RÉPARATIONS

KIT NO.	K02	K03	K169	K180 (18mm)	K176 (18mm)	K170 (20mm)	K171 (20mm)	K172 (22mm)	K173 (22mm)	K181 (24mm)	K182 (24mm)	K248 (28mm)	K247 (28mm)
Numéros POS.inclus dans le kit	51	39	3,4,5, 6, (10)	44, 46	42, 44, 44, 45, 46	44, 46	42, 43, 44, 45, 46	44, 46	42, 43, 44, 45, 46	44, 46	42, 43, 44, 45, 46	44, 46	42, 43, 44, 45, 46
Nombre d'assemblages dans le kit	3	1	6	3	1	3	1	3	1	3	1	3	1
Nombre de bouteilles que le kit servira	3	N/A	3	3	1	3	1	3	1	3	1	3	1

SYMPTÔME	CAUSE PROBABLE	RÉPARER
Le moteur ne démarre pas	Divers problèmes de moteur	Reportez-vous au manuel du moteur fourni avec votre appareil.
	Les composants de l'unité sont gelés.	Laisser dégeler. Si une partie de l'unité est gelée; une pression excessive peut s'accumuler dans l'appareil. Cela pourrait faire éclater l'appareil et causer des blessures graves à l'utilisateur ou à des tiers.
Pas de décharge à la buse lorsque le mécanisme de déclenchement est pressé.	Alimentation en eau inadéquate.	Assurez-vous que le tuyau a un diamètre de 3/4 "et que l'alimentation en eau est activée. Assurez-vous que l'eau est complètement ouverte.
Pression faible ou fluctuante.	Kink dans le tuyau d'arrivée d'eau.	Supprimer le coude.
	La grille d'entrée d'eau est obstruée.	Enlevez l'écran, nettoyez-le ou remplacez-le.
	Pompe à air de suction. (Premier éliminé)	Resserrer tous les raccords d'admission d'eau. Éliminer les fuites dans la conduite d'admission.
	Buse incorrecte installée sur le pistolet.	Insérer la buse haute pression.
	Buse de pulvérisation obstruée ou usée.	Enlevez, nettoyez ou remplacez.
	Soupape endommagée ou obstruée. sur la pompe.	Enlevez, nettoyez ou remplacez.
	Les garnitures de pompe sont usées.	Remplacez les joints.
L'eau fuit au niveau de la soupape de sécurité.	Le déchargeur / la soupape de dérivation ne fonctionne pas correctement.	Réparer ou remplacer.
	Dysfonctionnement du déchargeur.	Détecter et corriger le problème du déchargeur.
	Dysfonctionnement du pressostat.	Détectez et corrigez le problème du pressostat.
L'huile apparaît laiteuse ou mousseuse.	La soupape de sécurité est défectueuse.	Remplacez la soupape de sécurité. NE JAMAIS faire fonctionner l'unité sans soupape de sécurité. Cela pourrait provoquer une explosion!
	L'eau dans l'huile.	Changer l'huile de la pompe. Remplir au bon niveau.
Fuite d'huile de l'unité.	Joints ou joints toriques usés.	Consultez le service clientèle.
Le détergent ne siphonnera pas	La crépine de détergent n'est pas complètement immergée dans une solution de détergent.	Vérifiez, immergez si nécessaire.
	La crépine de détergent est obstruée.	Inspectez, nettoyez ou remplacez.
	Tuyau de détergent coupé, obstrué ou plié.	Inspectez, nettoyez ou remplacez.
	Bouton de réglage du détergent tourné en position fermée.	Ouvrir le bouton de réglage. Reportez-vous à «Nettoyage avec des détergents».
L'eau retourne dans le récipient à détergent.	La buse est bouchée.	Nettoyez ou remplacez.
	La bille et le ressort dans Venturi sont inversés, manquants ou corrodés.	Retirez, nettoyez ou remplacez.
L'eau coule de la buse lorsque le pistolet à gâchette est verrouillé en position «OFF»	Le pistolet à gâchette fonctionne mal.	Réparer ou remplacer.
Le moteur du ventilateur ne fonctionnera pas. (Le brûleur ne s'allumera pas si le ventilateur ne tourne pas)	Dysfonctionnement du brûleur / ventilateur.	Réparer ou remplacer.
	Ceinture cassée ou glissante sur le générateur.	Ajustez ou remplacez si nécessaire.

Le ventilateur fonctionne, mais le brûleur ne s'allume pas.	L'interrupteur n'est pas en position «Brûleur».	Vérifiez la position de l'interrupteur.
	Le bouton du thermostat est désactivé.	Vérifiez la position du bouton du thermostat.
	En panne d'essence.	Ravitailler.
	La gâchette du pistolet est fermée / non enfoncée.	Appuyez sur la gâchette du pistolet.
	La valve de détergent est ouverte, mais Le tuyau de détergent n'est pas complètement immergé dans la solution. (Cela provoque l'arrêt du brûleur par les dispositifs de sécurité.)	Fermer la vanne ou immerger complètement le tuyau en vinyle transparent dans la solution de détergent.
	Interrupteur pressostat.	La pression devrait être supérieure à 375 Lb/po ²
	Pas de tension.	Consulter le service après-vente.
	Pompe à essence aspirant de l'air.	Serrer tous les raccords d'admission de carburant. Éliminer les fuites dans la ligne d'admission.
	Alimentation en carburant médiocre ou inadéquate.	Vérifiez le carburant pour vous assurer qu'il est correct. Vidangez le réservoir et filtrez si nécessaire et remplissez avec du carburant approprié.
Le ventilateur fonctionne, mais le brûleur ne s'allume pas.	Filtre à carburant ou séparateur eau carburant sale ou encrassé.	Égoutter ou remplacer si nécessaire.
	Basse pression de la pompe à carburant.	Basse pression de la pompe à carburant.
	La pompe à carburant est en panne.	Vérifiez la pression, remplacez si nécessaire.
	Coupleur flexible cassé	Remplacer
	Panne de l'électrovanne de carburant.	Remplacer
	Injecteur de carburant sale ou obstrué.	Remplacez l'injecteur de carburant.
	Mauvais réglage de l'air du brûleur.	Adjust.
	Module d'allumage défectueux.	Réparer ou remplacer. Consultez le service clientèle.
	Électrodes d'allumage endommagées ou usées.	Ajustez ou remplacez les électrodes. Consultez le service clientèle.
Le brûleur fonctionne de manière erratique.	Eau dans le carburant.	Vidanger le filtre à carburant / séparateur d'eau. Vidangez le réservoir de carburant et remplacez-le par du carburant propre.
	Filtre à carburant sale	Remplacer le filtre
	Buse de carburant sale.	Remplacer
	Mauvais réglage de l'air.	Adjust.
	Pompe à carburant défectueuse.	Remplacer
Le ventilateur fonctionne, le brûleur s'allume mais ne chauffe pas.	Le bouton du thermostat est désactivé.	Vérifiez la position du bouton du thermostat.
	La vanne de détergent est ouverte, mais le tuyau de détergent n'est pas complètement immergé dans la solution. (Cela provoque l'arrêt du brûleur par les dispositifs de sécurité.)	Fermer la vanne ou immerger complètement le tuyau en vinyle dans une solution détergente.
	Alimentation en carburant médiocre ou inadéquate.	Vérifiez le carburant pour vous assurer qu'il est correct. Vidangez le réservoir et remplacez le filtre si nécessaire et faites le plein avec le carburant approprié.
	Filtre à carburant ou séparateur eau carburant sale ou encrassé.	Égoutter ou remplacer si nécessaire.
	Basse pression de la pompe à carburant.	Vérifiez la pression de la pompe à carburant, ajustez ou remplacez si nécessaire.
	Injecteur de carburant sale ou obstrué.	Remplacez l'injecteur de carburant.
Le ventilateur fonctionne, le brûleur s'allume mais ne chauffe pas.	Mauvais réglage de l'air du brûleur.	Ajustez le réglage.
	Accumulation de tartre dans la bobine de l'échangeur de chaleur.	Consultez le service clientèle.
Le brûleur rejette de la fumée blanche.	Peu de carburant.	Ravitailler. Si la fumée blanche persiste, consultez le service clientèle.
	Apport d'air excessif.	Ajustez le débit d'air.
Le brûleur libère de la fumée noire.	Alimentation en air insuffisante.	Ajustez pour vous assurer que le débit d'air est suffisant.

BE Power Equipment met tout en œuvre pour que ses produits répondent aux normes de qualité et de durabilité les plus élevées.

BE Power Equipment garantit au consommateur de détail initial une garantie limitée contre les défauts de matériaux et de fabrication. BE Power Equipment s'engage à réparer ou à remplacer tout produit défectueux à la valeur du prix d'achat initial, à la discrétion de BE Power Equipment et sans frais. Cette garantie limitée s'applique aux nettoyeurs haute pression à essence et électriques vendus aux États-Unis et au Canada, à l'exclusion des moteurs à essence HONDA.

La garantie de BE Power Equipment, telle que décrite ci-dessous, est valable pour tous les composants structurels spécifiquement pour le fabricant. DATE DE GARANTIE LIMITÉE excluant les composants HONDA *. Toutes les réclamations HONDA * doivent être évaluées par un centre de service certifié HONDA *. Les centres de services HONDA sont répertoriés sur le site Web HONDA, mais si vous avez besoin d'aide, contactez BE Power Equipment.

Toutes les garanties implicites sont limitées dans la durée à la période de garantie indiquée. Par conséquent, toute garantie implicite, y compris la qualité marchande, l'adéquation à un usage particulier ou autre, est refusée dans sa totalité à l'expiration de la période de garantie appropriée.

• HONDA GX Engines:	3 Ans
• Pompes à entraînement triplex:	5 Ans
• Panneau électrique / de commande:	1 An
• Brûleur:	3 Ans
• Bobine:	3 Ans
• Accessoires:	90 Jours
• Cadre:	Durée de vie

En outre, cette GARANTIE LIMITÉE ne couvre pas et ne se limite pas aux défaillances: manque de service, négligence, mauvaise utilisation directe ou indirecte, abus, composants portables, modifications, dommages dus au gel, détérioration chimique, accumulation de tartre, rouille, corrosion, ou expansion thermique, service d'entretien normal, y compris réglages, nettoyage du circuit de carburant, nettoyage des obstructions, dommages aux composants dus aux fluctuations de l'approvisionnement en eau ou en électricité, transport vers le centre de service, frais de personnel sur le terrain, dommages au transport et réparations effectuées par un centre de service non autorisé.

BE Power Equipment n'assume aucune responsabilité et ne pourra en aucun cas être tenu responsable des dommages corporels ou matériels ni des dommages fortuits, particuliers ou indirects résultant de l'utilisation de nos produits.

La période de garantie limitée commence à la date d'achat, le numéro de série du produit et l'acte de vente requis pour le dépôt d'une réclamation.

Soumettez le produit à vos frais, accompagné de votre preuve d'achat datée, à un centre de service agréé BE Power Equipment. Contactez votre revendeur, BE Power Equipment ou visitez bepowerequipment.com/service-centers pour obtenir la liste des centres de service autorisés. En coopération avec notre centre de service agréé, BE Power Equipment réparera ou remplacera le produit revendiqué. L'approbation de la demande de remboursement est strictement et exclusivement autorisée par BE Power Equipment si une ou plusieurs pièces couvertes par la présente garantie dont l'examen révèle un vice de fabrication ou de matériau au cours de la période de garantie seront réparées ou remplacées sans frais par un centre de service agréé BE POWER EQUIPMENT pendant le solde de la période de garantie initiale.

La responsabilité de BE Power Equipment en ce qui concerne les dommages spéciaux, accessoires ou indirects est expressément déclinée. La responsabilité de BE Power Equipment ne pourra en aucun cas excéder le prix d'achat du produit en question. BE Power Equipment s'efforce de garantir l'exactitude des illustrations et des spécifications. Toutefois, cela ne signifie pas que le produit est commercialisable ou adapté à un usage particulier, ni que le produit sera conforme aux illustrations et aux spécifications.

LA GARANTIE CONTENUE DANS LES PRÉSENTES REMPLACE TOUTES LES AUTRES GARANTIES, EXPRESSES OU IMPLICITES, Y COMPRIS TOUTE GARANTIE IMPLICITE D'ADÉQUATION À UN USAGE PARTICULIER. BE Power Equipment n'autorise aucune autre partie, y compris les revendeurs agréés BE Power Equipment, à faire des déclarations ou à promettre de la part de BE Power Equipment, ni à modifier les termes, conditions ou limitations de quelque manière que ce soit. Il incombe à l'acheteur de s'assurer que l'installation et l'utilisation des produits BE Power Equipment sont conformes aux codes locaux. BE Power Equipment s'efforce de garantir que ses produits sont conformes aux codes nationaux, mais elle ne peut être tenue responsable de la manière dont le client choisit d'utiliser ou d'installer le produit.

BE POWER EQUIPMENT se réserve le droit de modifier ou d'améliorer la conception de ce produit sans assumer aucune obligation de modifier les produits déjà fabriqués.

Si vous ne pouvez pas résoudre la réclamation au titre de la garantie de manière satisfaisante, contactez le service de garantie de BE Power Equipment (1-800-663-8331), en précisant la nature du défaut, le nom du revendeur agréé BE Power Equipment, une copie de l'achat, facture et numéro de série applicable.

BE

POWER EQUIPMENT

SI VOUS AVEZ BESOIN D'ASSISTANCE POUR L'ASSEMBLAGE OU LE FONCTIONNEMENT DE VOTRE NETTOYEUR HAUTE PRESSION, VEUILLEZ COMPOSER LE
1-800-663-8331.

OU VISITEZ NOTRE SITE WEB:

BEPOWEREQUIPMENT

.COM

BE

POWER EQUIPMENT

LAVADORA A PRESIÓN DE AGUA CALIENTE



HW3024HG12V

HW3524HG12V

MANUAL DEL OPERADOR

INDUSTRIAL

SERIES

INTRODUCCIÓN

Introducción y números de identificación 3

ADVERTENCIAS IMPORTANTES DE SEGURIDAD

Advertencias y símbolos de seguridad importantes 4

INFORMACIÓN GENERAL

Características y componentes del producto 7

PREPARACIÓN

Conexión de la manguera y el suministro de agua a la bomba 8

Cómo utilizar las puntas de pulverización..... 9

OPERACIÓN

Procedimientos de seguridad 10

Inspección previos a la operación 10

Preparación del procedimiento de arranque 10

Arranque de la unidad 11

Uso de agua caliente y uso de detergente 13

Apagado de la unidad y almacenamiento 14

MANTENIMIENTO

Mantenimiento específico 15

Calendario de mantenimiento 16

DESGLOSES

Lavadora a presión 17

Panel de control 18

Diagrama de cableado del panel de control 19

El calentador 20

La bomba 21

SOLUCIÓN DE PROBLEMAS

Tabla de resolución de problemas 23

GARANTÍA

Declaración de garantía 25

INTRODUCCIÓN Y NÚMEROS DE IDENTIFICACIÓN



ATENCIÓN: LEA EL MANUAL COMPLETO ANTES DEL USO INICIAL DE SU HIDROLIMPIADORA.

Usando el manual del operador

El manual del operador es una parte importante de su lavadora a presión. Debe leerse detenidamente antes del uso inicial y consultarlo con frecuencia para asegurarse de que se aborden las preocupaciones de seguridad y servicio adecuadas.

Leer el manual del operador a fondo ayudará a evitar lesiones personales o daños a su máquina. Al saber cuál es la mejor manera de operar esta máquina, estará mejor posicionado para mostrar a otros que también pueden operar la unidad.

Este manual fue escrito para llevarlo de los requisitos de seguridad a las funciones operativas de su máquina. Puede consultar el manual en cualquier momento para ayudar a solucionar problemas de funciones operativas específicas, así que guárdelo con la máquina en todo momento.

Números de identificación de registro

Si necesita comunicarse con un distribuidor autorizado o con la línea de servicio al cliente (1-800-663-8331) para obtener información sobre el servicio, siempre proporcione el modelo del producto y los números de identificación.

Deberá ubicar el modelo y el número de serie de la bomba y registrar la información en los espacios provistos a continuación.

Fecha de compra:
Nombre del concesionario:
Teléfono del concesionario:

NÚMEROS DE IDENTIFICACIÓN DEL PRODUCTO	
Número de modelo:	
Número de serie:	













Éste es el símbolo de alerta de seguridad. Se utiliza para alertarlo sobre posibles riesgos de lesiones personales. Obedezca todos los mensajes de seguridad que siguen a este símbolo para evitar posibles lesiones o la muerte.

PELIGRO	Esto indica un peligro que, si no se evita, provocará lesiones graves o la muerte.
ADVERTENCIA	Esto indica un peligro que, si no se evita, provocará lesiones graves o daños a la propiedad.
PRECAUCIÓN	Esto indica un peligro que, si no se evita, podría provocar lesiones leves o moderadas.
AVISO	Esto indica una situación que podría dañar el equipo u otra propiedad. Asegúrese de observar y seguir todos los mensajes de seguridad.

SÍMBOLOS Y SIGNIFICADOS DE PELIGRO

			
EXPLOSIÓN	FUEGO	SUPERFICIE CALIENTE	PARTES MÓVILES
			
FLYING OBJECTS	DESCARGA ELÉCTRICA	VAPORES TÓXICOS	INYECCIÓN

PELIGRO

- Siempre opere la lavadora a presión en un área bien ventilada, libre de vapores inflamables, polvo combustible, gases u otros materiales combustibles.
- No almacene la lavadora a presión cerca de una llama abierta o de cualquier equipo como una estufa, horno, calentador de agua, etc., que utilice una luz piloto o un dispositivo de chispas.
- No use esta lavadora a presión para rociar material inflamable.
- No fume mientras llena el tanque de combustible del quemador.
- Nunca llene los tanques de combustible mientras la lavadora a presión esté funcionando o caliente. Permita que la unidad se enfríe por dos minutos.
- Siempre ponga combustible lentamente para evitar la posibilidad de que se derrame, lo que puede provocar un incendio.
- Siempre deje espacio para que el combustible se expanda en el tanque de gasolina. No llene demasiado.
- Tanque de combustible del motor: si usa un motor de gasolina, reposte solo con gasolina. No use diesel o queroseno.
- Tanque de combustible del quemador (negro): al reabastecer el tanque de combustible del quemador, use aceite combustible / diesel o queroseno No. 1 o No. 2. No use gasolina.
- No opere la unidad si se derrama gasolina o diesel. Limpie la lavadora a presión y aléjela del derrame. Evite crear cualquier ignición hasta que la gasolina o el combustible diesel se hayan evaporado.
- Cuando se activa la batería, los gases de hidrógeno y oxígeno en la batería son extremadamente explosivos. Mantenga las chispas y llamas abiertas lejos de la batería en todo momento, especialmente durante la carga.
- Asegúrese de desconectar el terminal de tierra de la batería antes de realizar el mantenimiento. Al desconectar el cable de la batería, comience con el terminal negativo. Al conectarlos, comience con el cable positivo.
- Al cargar la batería, retire los tapones de ventilación de la batería.
- Use solo un voltímetro o hidrómetro para verificar la carga de la batería.
- NO arranque la batería a menos que ambas baterías tengan el mismo voltaje y amperaje

ADVERTENCIAS IMPORTANTES DE SEGURIDAD

ADVERTENCIA



Se pueden producir lesiones graves o la muerte por un incendio causado por una chispa del silenciador.
Se pueden producir lesiones graves o la muerte si no se mantiene adecuadamente la seguridad del sistema.

- Se debe agregar un apagachispas al silenciador de este motor cuando se use en terrenos cubiertos con cualquier cultivo agrícola inflamable (heno y grano), y si se usan en o cerca de áreas de matorrales o bosques. El operador del equipo debe mantener el descargador en buen estado de funcionamiento. En el estado de California, la ley exige lo anterior. (Sección 4442 y 4443 del Código de Recursos Públicos de California). Otros estados / provincias pueden tener leyes similares. Las leyes federales se aplican en tierras federales.
- Esta lavadora a presión tiene una válvula de alivio de seguridad. Esto nunca se debe alterar, modificar, eliminar o dejar de funcionar. Si el dispositivo falla, reemplácelo inmediatamente con una pieza de repuesto genuina del fabricante.

ADVERTENCIA



Se pueden producir lesiones graves o la muerte al inhalar el escape del motor / quemador o los vapores peligrosos. El escape del motor de este producto contiene productos químicos que el Estado de California sabe que causan cáncer, defectos de nacimiento u otros daños reproductivos.

- Nunca opere esta lavadora a presión en un área cerrada. Asegúrese siempre de que haya una ventilación adecuada (aire exterior fresco) para la respiración y la combustión. Esto evitará la acumulación de gases peligrosos de monóxido de carbono. Tenga cuidado con las áreas mal ventiladas o con ventiladores de escape que pueden causar un intercambio de aire deficiente. Esta unidad solo debe usarse al aire libre para garantizar que la ventilación nunca sea un problema.
- Siga todas las instrucciones de seguridad provistas con los materiales que está rociando. Se puede requerir el uso de un respirador cuando se trabaja con algunos materiales. No utilice esta lavadora a presión para dispensar detergentes peligrosos.

ADVERTENCIA



Se pueden producir lesiones graves o la muerte por la pulverización de alta presión que penetra en la piel.

- ¡Manténgase alejado de la boquilla y el aerosol! Nunca coloque su mano, dedos o cuerpo directamente sobre la boquilla de pulverización.
- No dirija la corriente de descarga hacia sí mismo, otras personas o mascotas.
- Este producto solo debe ser utilizado por operadores capacitados.
- Mantenga siempre el área de operación libre de otras personas.
- No permita que los niños operen esta unidad o estén cerca mientras la opera.
- Busque atención médica de emergencia si el aerosol parece haber penetrado en la piel. ¡No lo trates como un simple corte!
- Las mangueras de alta presión y las líneas de combustible deben inspeccionarse diariamente para detectar signos de desgaste. Si existe evidencia de falla, reemplace de inmediato todas las mangueras y líneas de combustible sospechosas para evitar la posibilidad de lesiones por el rociado de alta presión. Si una manguera o accesorio tiene fugas, no coloque la mano sobre la fuga.
- Nunca opere la pistola con el gatillo en la posición abierta. Para evitar descargas accidentales, la pistola de gatillo debe bloquearse de forma segura cuando no esté en uso.
- Antes de quitar la boquilla rociadora o de reparar la unidad, apague siempre la unidad y apriete el gatillo de la pistola para liberar la presión atrapada (incluso después de apagar la unidad, queda agua a alta presión en la bomba, la manguera y la pistola hasta que libérela apretando el gatillo de la pistola).

ADVERTENCIA



Se pueden producir lesiones graves o la muerte por contacto con la electricidad.

- ¡No rocíe directamente sobre instalaciones eléctricas de ningún tipo! Esto incluye enchufes eléctricos, bombillas, cajas de fusibles, transformadores y la propia unidad.
- No permita que los componentes metálicos de la lavadora a presión entren en contacto con componentes eléctricos con corriente.

ADVERTENCIA	
	Se pueden producir lesiones graves al tocar el motor de gasolina, el silenciador o el intercambiador de calor. Estas áreas pueden permanecer calientes durante un tiempo después de que se apague la lavadora a presión.
<ul style="list-style-type: none"> • Nunca permita que ninguna parte de su cuerpo entre en contacto con el motor de gasolina, el silenciador o el intercambiador de calor. 	

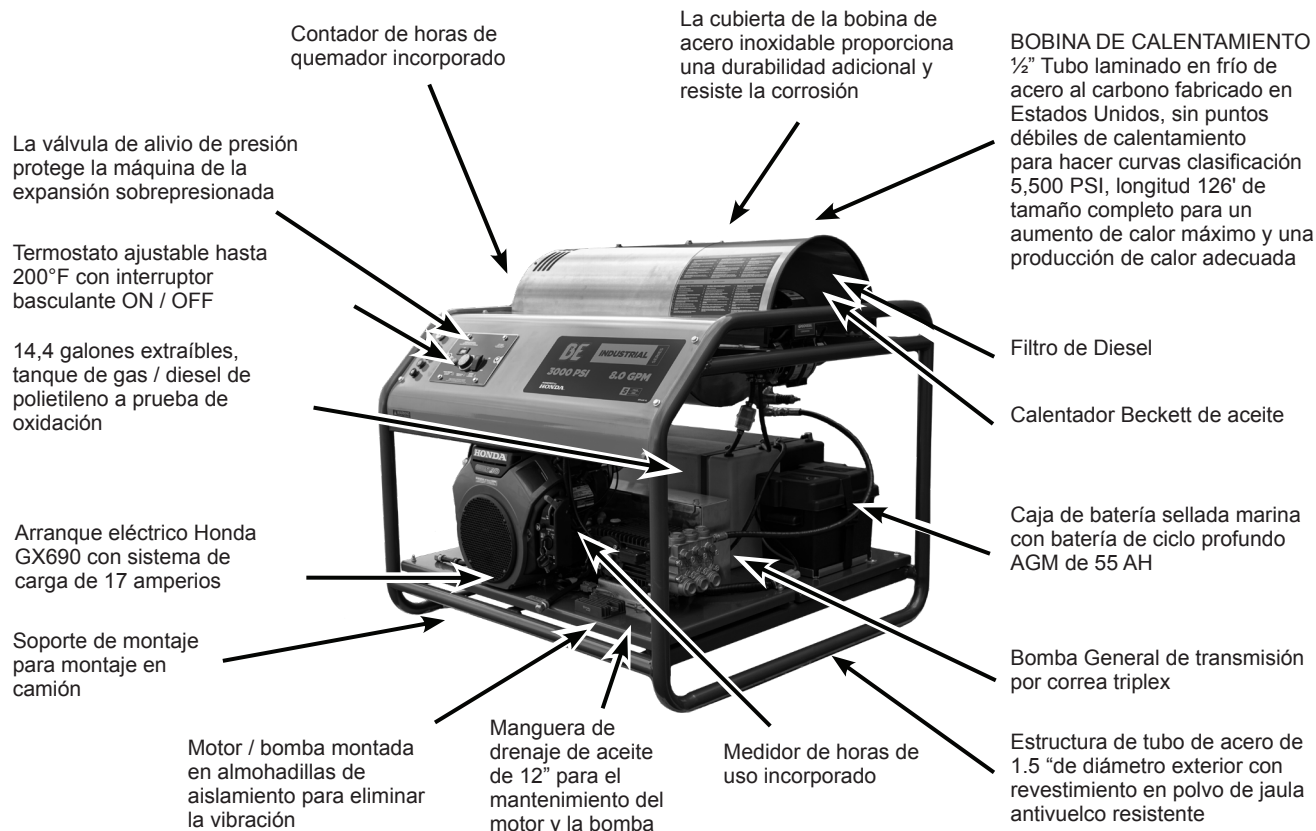
ADVERTENCIA	
	Se pueden producir lesiones graves debido al mal funcionamiento de la lavadora a presión o la explosión de accesorios si se utilizan componentes, accesorios o accesorios incorrectos del sistema. Se pueden producir lesiones graves o la muerte si se intenta arrancar la lavadora a presión cuando el sistema de bombeo está congelado.
<ul style="list-style-type: none"> • Nunca haga ajustes a las presiones establecidas de fábrica. • Nunca exceda la clasificación de presión máxima permitida por los fabricantes de los accesorios. • No permita que ninguna manguera entre en contacto con el intercambiador de calor para evitar la posibilidad de explosión. Evite arrastrar las mangueras sobre superficies abrasivas como el cemento. • Utilice únicamente piezas de reparación recomendadas por el fabricante para su lavadora a presión. • En temperaturas de congelación, la unidad siempre debe estar lo suficientemente caliente para garantizar que no haya formación de hielo en la bomba. No arranque la lavadora a presión si se ha transportado en un vehículo abierto o con calefacción insuficiente sin antes permitir que la bomba se descongele. 	

ADVERTENCIA	
	Se pueden producir lesiones graves al operador por piezas móviles en la lavadora a presión.
<ul style="list-style-type: none"> • Antes de hacer cualquier ajuste, asegúrese de que el motor esté apagado y que el (los) cable (s) de encendido se retiren de la (s) bujía (s). Voltar la maquinaria a mano durante el ajuste o la limpieza puede arrancar el motor y la maquinaria con ella. • No opere la unidad sin todas las cubiertas protectoras en su lugar. 	

ADVERTENCIA	
	Se pueden producir lesiones graves o la muerte por los detergentes que entran en contacto con la piel. Se pueden producir lesiones graves si se arrojan escombros sueltos a gran velocidad desde la pistola rociadora. Se pueden producir lesiones si el operador pierde el equilibrio causado por el empuje del agua que viaja a través de la boquilla de pulverización.
<ul style="list-style-type: none"> • Nunca use solventes o detergentes altamente corrosivos o limpiadores de tipo ácido con esta lavadora a presión. • Se recomienda equipo de protección, como guantes de goma y respiradores, especialmente cuando se usan detergentes de limpieza. • ¡Mantenga todos los detergentes fuera del alcance de los niños! • Siempre use gafas protectoras cuando opere la unidad para proteger los ojos de escombros y detergentes. • No dirija la pulverización hacia materiales frágiles como el vidrio. • Mantente alerta: mira lo que estás haciendo. No opere la unidad cuando esté fatigado o bajo la influencia del alcohol o las drogas. • Nunca apriete el gatillo a menos que esté firmemente asegurado. • No se extralimite ni se pare sobre un soporte inestable. • Las superficies mojadas pueden ser resbaladizas. Use equipo protector para los pies y mantenga un buen equilibrio / equilibrio en todo momento. • Nunca apriete el gatillo de la pistola mientras esté en una escalera, techo u otra superficie inestable. • Siempre sujete firmemente el conjunto de pistola / lanza cuando arranque y opere la unidad. De lo contrario, la lanza se puede caer y azotar peligrosamente. • No deje la unidad presurizada sin vigilancia. Apague la lavadora a presión y libere la presión atrapada antes de irse. • No opere la unidad si ve algún combustible, aceite o agua escapando de la máquina. NO reanude la operación hasta que la unidad haya sido inspeccionada y reparada por un técnico calificado. • No transporte la unidad tirando de mangueras o cables. 	

INFORMACIÓN GENERAL

CARACTERÍSTICAS Y COMPONENTES DEL PRODUCTO



Descripción	HW3024HG12V	HW3524HG12V
La calificación de presión	3000	3500
GPM	8	5.6
Modelo de motor	HONDA GX690	HONDA GX690
Desplazamiento	688 CC	688 CC
voltaje	12VDC	12VDC
Amperios	17	
Tipo de quemador	ADC Beckett	
Descargador	VRT100	VRT3
Tipo de bomba	GP TSF2021	GP TS2021
Boquillas incluidas	0°, 15°, 25°, 40°, Depurador	
Longitud de la manguera	50'	
Tipo de inicio	Arranque eléctrico	
Capacidad de gasolina	54,5 litros (14,4 galones estadounidenses)	
Capacidad diesel	54,5 litros (14,4 galones estadounidenses)	
Capacidad de aceite del motor	2,0 litros (2,1 U.S. qts)	
Peso	444 kg (979 libras)	
Diámetro de la manguera	3/8"	
Material de la manguera	Caucho / Trenza doble alambre	

SUMINISTRO DE AGUA

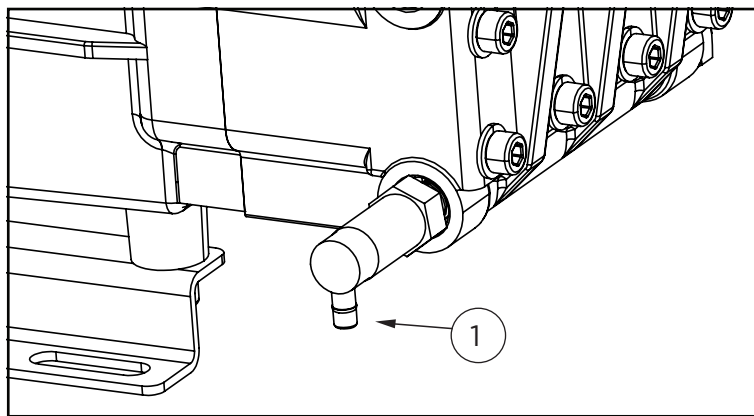
1. Seleccione una manguera de suministro de agua que sea un grado de calidad de la manguera que mida al menos 3/4 "ID y no más de 50 pies del tanque de agua.
2. Conecte la manguera a la entrada de su bomba de alta presión. Enrosque la conexión a mano hasta que quede apretada. Asegúrese de que la conexión esté apretada en ambos extremos (en la entrada de la bomba y en la fuente de suministro de agua).
3. Instale el filtro de entrada de agua entre la bomba y el tanque.
4. **Nunca permita que la unidad funcione sin la manguera de agua conectada y el suministro de agua abierto por completo.**

AVISO

- Si hay un alto contenido de minerales en su agua, se recomienda que se agregue un ablandador de agua y un filtro de agua adicional a la entrada de agua. Esto ayudará a evitar la posibilidad de acumulación excesiva de incrustaciones dentro de la bobina del intercambiador de calor.

Las bombas son refrigeradas por agua. Cuando la máquina esté funcionando, asegúrese de presionar el gatillo de la pistola para permitir un flujo constante de agua dulce dentro y fuera de la bomba. No deje que la máquina funcione durante más de 30 segundos sin apretar el gatillo.

La mayoría de las bombas están protegidas por una válvula térmica(1). La válvula térmica libera agua si una bomba comienza a funcionar demasiado caliente. Evitará una falla de calor catastrófica. Sin embargo, la bomba puede haber sufrido daños y necesitar mantenimiento, reparación o reemplazo. Si no se reinicia y sigue goteando agua, es posible que deba reemplazar la válvula térmica.



PREPARACIÓN

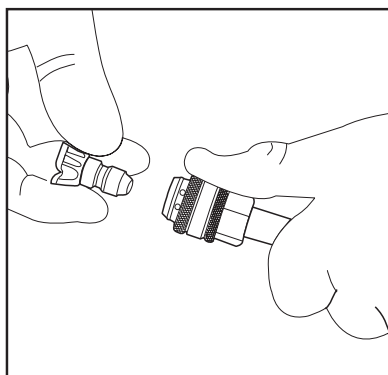


CÓMO USAR LAS BOQUILLAS DE ROCIADO

La conexión rápida en la extensión de la boquilla le permite cambiar entre cinco diferentes boquillas de rociado de conexión rápida. Las boquillas de rociado se pueden cambiar mientras la lavadora a presión está funcionando, una vez que se activa el bloqueo de seguridad del gatillo de la pistola de pulverización. Las boquillas de rociado varían el patrón de rociado como se muestra arriba.

SIGA ESTAS INSTRUCCIONES PARA CAMBIAR LAS PUNTAS DE PULVERIZACIÓN:

1. Tire hacia atrás el collar del acoplador de conexión rápida y retire la boquilla de rociado. Guarde las boquillas de rociado en el soporte provisto en el mango. Almacenar las boquillas en el soporte designado ayudará a evitar que los desechos obstruyan la punta.



2. Seleccione la boquilla de pulverización deseada:
 - Para un enjuague suave, seleccione la boquilla blanca de 40 °.
 - Para una limpieza ligera, seleccione la boquilla verde de 25 °.
 - Para la limpieza a alta presión, seleccione la boquilla amarilla de 15 °.
 - Para fregar la superficie, seleccione la boquilla roja de 0 °.
 - Para aplicar detergente, seleccione la boquilla negra. **Ninguna otra boquilla rociará jabón**
3. Tire hacia atrás del collar, inserte la punta de pulverización y suelte el collar. Tire de la punta del rociador para asegurarse de que esté firmemente en su lugar.

USO DE LAS BOQUILLAS

- Para una limpieza más efectiva, mantenga la boquilla de pulverización a una distancia de 8 a 24 pulgadas de la superficie de limpieza.
- Si la boquilla de rociado se acerca demasiado a la superficie que se está limpiando, especialmente usando una boquilla de rociado de alta presión (roja o amarilla), puede dañarse. No use la boquilla roja sobre vidrio. Hacerlo podría ocasionar vidrios rotos o agrietados.

PROCEDIMIENTOS DE SEGURIDAD

1. Esta unidad solo debe colocarse en una superficie nivelada para garantizar la lubricación adecuada de la bomba de agua durante el funcionamiento. Colocar la unidad en una superficie nivelada también asegurará que el combustible, el aceite y otros fluidos no se derramen durante la operación. **NUNCA** rocíe agua directamente sobre la unidad.
2. No use la unidad en un área:
 - A. Con ventilación insuficiente.
 - B. Donde hay evidencia de fugas de aceite o combustible.
 - C. Donde pueden estar presentes vapores de gases inflamables.

Esta unidad tiene múltiples fuentes de ignición que pueden provocar un incendio o una explosión.

3. No permita que la unidad se exponga a lluvia, nieve o temperaturas de congelación. Si alguna parte de la unidad se congela, puede acumularse una presión excesiva en la unidad que podría hacer que explote. Esto daría lugar a posibles lesiones graves para el operador o los espectadores.
4. Se debe verificar el nivel de aceite de la bomba antes de cada uso. Asegúrese de que el aceite esté en la marca "Completa" en la varilla medidora o en el centro de la mirilla de aceite. Si el nivel parece ser bajo, llénelo con aceite de bomba sin detergente SAE30W.
5. Su lavadora a presión está equipada con un arrancador eléctrico. En el arranque inicial, use protección adecuada para los ojos y la piel cuando llene la batería con ácido. Cargue completamente la batería para permitir que funcione el arrancador eléctrico.

INSPECCIÓN PREVIOS A LA OPERACIÓN

1. Revise las advertencias de "Riesgo de explosión o incendio" antes de cargar combustible.
2. Localice las etiquetas de seguridad en su unidad y preste atención a sus advertencias.
3. Motores: consulte el Manual del propietario del motor incluido para conocer los requisitos de combustible.
4. Combustible del quemador: Cuando llene el tanque, use aceite combustible / diesel o queroseno No. 1 ó No 2.
5. Verifique el nivel de aceite del motor antes de arrancar el motor.
6. Revise el manual del motor que acompaña a esta lavadora a presión para conocer los procedimientos correctos de arranque y mantenimiento del motor.

PREPARACIÓN DEL PROCEDIMIENTO DE ARRANQUE

Antes de encender la unidad, realice los siguientes procedimientos:

1. Verifique el nivel de aceite y la condición de la bomba y el motor. Recomendamos aceite SAE 10W30 para motores y aceite mineral SAE 30 para bombas.
2. Inspeccione el filtro de entrada de agua. Limpie o reemplace si es necesario.
3. Verifique todas las conexiones de la manguera para asegurarse de que estén bien apretadas.
4. Inspeccione por fugas de agua del sistema, fugas de aceite y fugas de combustible. Si se encuentra una fuga de combustible, no arranque la unidad. Asegúrese de reemplazar todas las partes dañadas y de corregir los problemas mecánicos antes de operar la unidad.
5. Inspeccione las mangueras de alta presión en busca de torceduras, cortes y fugas. Si se encuentra un corte o una fuga, no use la manguera. Reemplace la manguera antes de arrancar la unidad. Consulte Asegúrese de reemplazar todas las partes dañadas y de que los problemas mecánicos se corrijan antes de la operación de la unidad.

OPERACIÓN

ARRANQUE DE LA UNIDAD

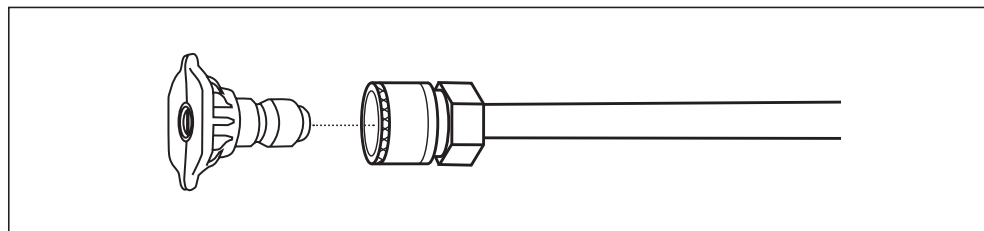
Para iniciar su lavadora a presión por primera vez, siga estas instrucciones paso a paso. Esta información de inicio también se aplica si ha dejado la lavadora a presión inactiva durante al menos un día.

1. Asegúrese de que la unidad esté nivelada y colocada en una superficie sólida.
2. Conecte la manguera de jardín a la entrada de agua en la bomba de la lavadora a presión. Para hacer esto, enrosque el extremo de la manguera en la entrada con la mano hasta que quede apretado y seguro.
3. Conecte la extensión de la varita a la pistola rociadora. Apriete a mano.

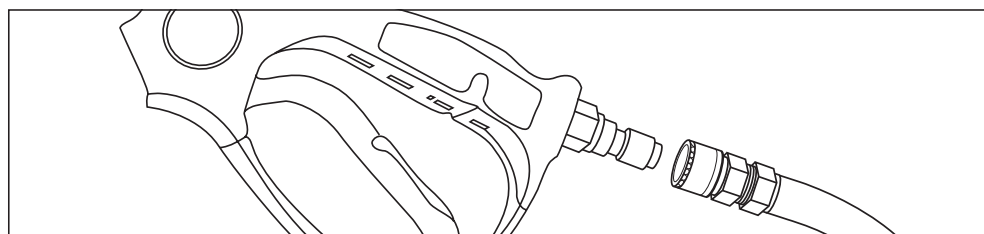
AVISO

NO haga funcionar la bomba sin el suministro de agua conectado y encendido. El incumplimiento de esta regla provocará daños en la bomba. Los daños causados por hacer funcionar la bomba sin agua no están cubiertos por la garantía.

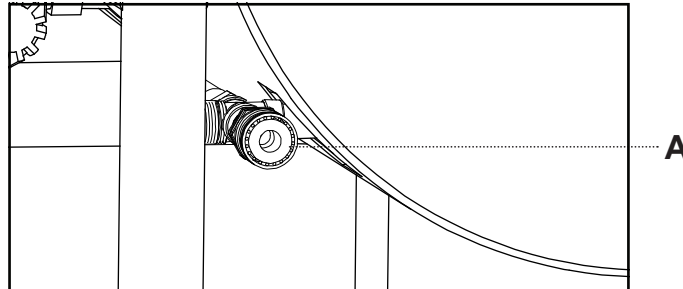
4. Elija la boquilla de rociado deseada, tire hacia atrás el collar de extensión de la boquilla, inserte la punta de rociado y suelte el collar. Tire de la punta del rociador para asegurarse de que esté firmemente en su lugar. Consulte página 9 para obtener más información.



5. Tire hacia abajo del collar del acoplador de conexión rápida, deslícelo sobre el conector de la pistola y suelte el collar. Tire de la manguera para asegurarse de que la conexión esté apretada.



6. Conecte el otro extremo de la manguera de alta presión a la salida de alta presión ("A" en el diagrama a continuación) en la bomba. Tire hacia abajo del collar de conexión rápida, deslice sobre la bomba y suelte el collar. Tenga en cuenta que algunas bombas requieren que la manguera esté enroscada. Tire de la manguera para asegurarse de que la conexión sea segura.



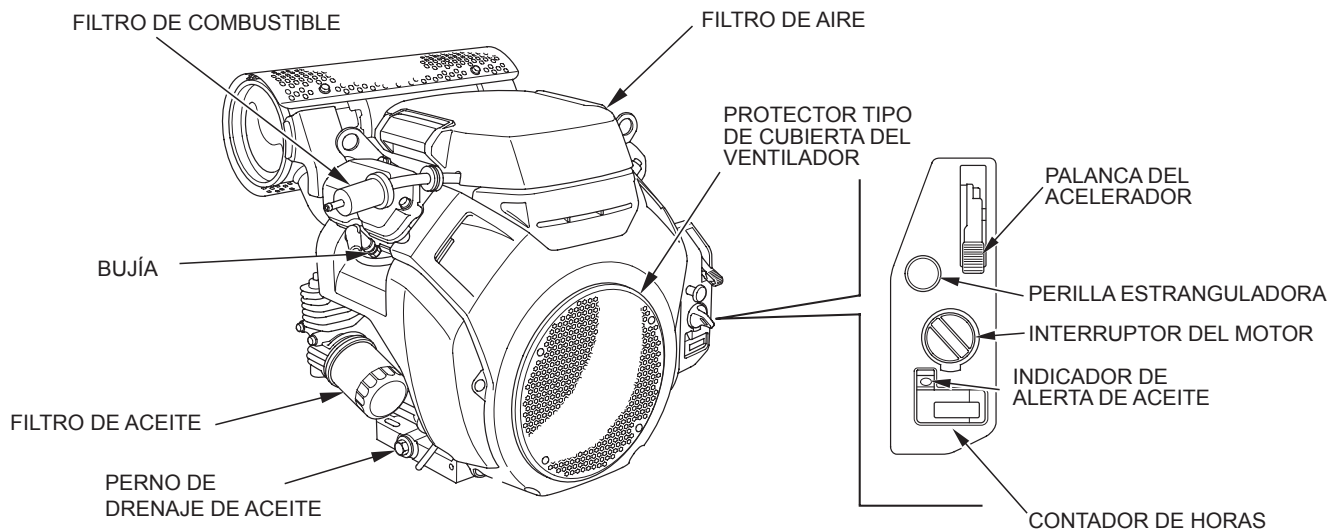
* La bomba utiliza aceite mineral sin detergente SAE30

7. Abra el suministro de agua si aún no lo ha hecho. Apunte la pistola en una dirección segura y apriete el gatillo para purgar la bomba de aire y desechos. Haga esto hasta que el flujo de agua fluya a un ritmo constante. Continúe presionando el gatillo de la pistola mientras enciende la máquina para asegurarse de que no se acumule presión.
8. Eche un vistazo final a todas las conexiones para asegurarse de que no haya fugas o conexiones sueltas. Si hay fugas en las mangueras, deben reemplazarse.

IMPORTANTE: NO extraiga agua estancada para el suministro de agua.
Asegúrese de que el interruptor del quemador esté apagado

9. Para arrancar la máquina, ubique el interruptor de encendido eléctrico en el lado derecho del motor. Inserte la llave y gírela a la posición "encendida" hasta que la unidad arranque. No mantenga el interruptor en la posición "encendido" durante más de 5 segundos, ya que esto puede causar daños al motor. Verifique para asegurarse de que la válvula de combustible esté en la posición CONECTADA y, si comienza a enfriarse, mueva la palanca del estrangulador a la posición "cerrada". Consulte el diagrama de componentes a continuación para conocer la ubicación de estas partes.

Recuerde mover gradualmente la palanca del estrangulador a la posición "abierta" una vez que el motor esté funcionando..



* El motor utiliza aceite SAE 10W30

OPERACIÓN

USO DE AGUA CALIENTE

Ahora que la unidad está funcionando, está funcionando como una lavadora a presión de agua fría. **Cuando desee cambiar a agua caliente, coloque el interruptor del quemador en la posición "ON".**

AVISO

Tras el arranque inicial, el agua comenzará a calentarse en aproximadamente 20 segundos. Alcanzará la temperatura máxima en 2-1 / 2 minutos, siempre que el gatillo se presione continuamente hacia abajo. El calentador no se encenderá cuando se suelte el gatillo.

⚠ ADVERTENCIA

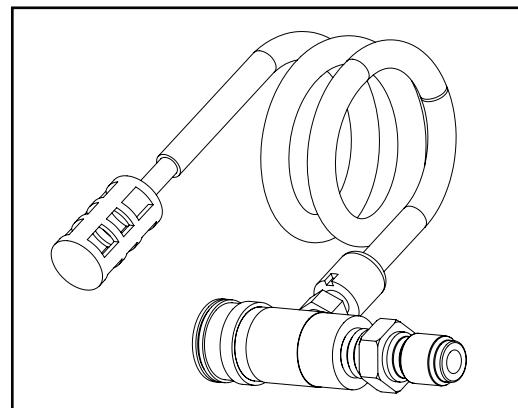
La temperatura del agua puede llegar a ser extremadamente alta durante la operación. Tenga cuidado al operar la pistola rociadora.

USO DE DETERGENTE

AVISO

Esta característica está diseñada para usarse solo con detergentes suaves. Dado que la solución de limpieza viaja a través de la bobina del intercambiador de calor, NO use corrosivos, ya que causarán daños importantes y representarán un riesgo considerable para la seguridad.

1. Prepare la solución de detergente según las instrucciones de la etiqueta. Nunca bombee ácidos, líquidos alcalinos, abrasivos o solventes a través de la unidad. Debido a las características desconocidas y a menudo corrosivas de muchos detergentes comúnmente utilizados en la industria de limpieza a presión, se recomienda usar solo detergentes suaves con esta unidad.
2. Sumerja completamente el filtro de detergente en la solución de detergente.
3. Para aplicar la solución, instale la boquilla de jabón negro en la punta de la pistola rociadora, desbloquee la pistola y apriete el gatillo. Después de unos momentos, una mezcla de detergente / agua saldrá de la boquilla. Comience a rociar la parte inferior de la superficie que se está limpiando y suba, usando trazos largos superpuestos. Aplicar de abajo hacia arriba ayuda a evitar rayas. Permita que todo se remoje brevemente.
4. Evite trabajar en superficies calientes o bajo la luz solar directa para minimizar las posibilidades de que el detergente se seque, lo que puede provocar daños en las superficies. Asegúrese de enjuagar una pequeña sección a la vez.
5. Para enjuagar, bloquee la pistola disparadora en la posición "APAGADO". Desde aquí, coloque de forma segura la boquilla de pulverización blanca o verde en el extremo de la pistola. Desbloquee el gatillo y rocíe. Tomará aproximadamente 30 segundos purgar todo el detergente de la línea. Para obtener mejores resultados de enjuague, comience desde arriba y trabaje hacia abajo.
6. aspire un galón de agua a través del sistema de inyección de detergente de baja presión después de cada uso. Esto evita la posibilidad de corrosión o residuos de detergente que causen problemas mecánicos durante el próximo uso.



APAGADO DE LA UNIDAD

1. Mueva el interruptor del quemador a la posición “OFF”.
2. Apriete el gatillo y descargue el agua durante tres minutos para enfriar el intercambiador de calor y la manguera de alta presión. Los períodos de enfriamiento insuficientes para la manguera de alta presión causarán un desgaste excesivo y la eventual ruptura de la manguera.
3. No cierre el estrangulador para detener el motor. Puede producirse un retroceso o daños en el motor.
4. Mueva el interruptor de llave del motor a la posición APAGADO.
5. Cierre el suministro de agua y apriete el gatillo de la pistola para aliviar la presión atrapada.

Desconecte y drene la manguera de alta presión, la pistola y la lanza. Limpie la unidad y guárdela en un ambiente sin congelación.

ALMACENAMIENTO Y PREPARACIÓN PARA EL INVIERNO

Si no planea usar la lavadora a presión durante más de 30 días, debe preparar el motor y la bomba para el almacenamiento a largo plazo. Consulte el manual del usuario del motor para obtener instrucciones específicas al respecto.

Cuando guarde la unidad para el invierno, es importante asegurarse de que esté almacenada en el entorno adecuado. Asegúrese de que el área de almacenamiento se mantenga por encima del punto de congelación durante el clima frío e intente limitar la cantidad de polvo acumulado en la unidad a través de una cubierta.

ADVERTENCIA



Las cubiertas de almacenamiento pueden ser inflamables.

- NO coloque una tapa de almacenamiento sobre una lavadora a presión caliente.
- Deje que el equipo se enfríe durante al menos 30 minutos antes de colocar la cubierta sobre el equipo.

Deberá asegurarse de que el combustible se drene del motor antes del almacenamiento. Para conocer los pasos necesarios para hacer esto, consulte el manual del usuario del motor.

Una vez que la unidad ha sido almacenada y la gasolina ha sido drenada, lo último que debe hacer es preparar su bomba para el invierno. Esto se puede hacer de una de dos maneras:

- solución BE “**Pump Saver**” (P/N: 85.490.046). Esta es una solución anticongelante que se utiliza antes de almacenar la unidad. Se recubre en el interior de la bomba para garantizar que el agua residual no se congele. Para usar BE Pump Saver, siga las instrucciones escritas en la botella. El agua congelada en la bomba dañará los sellos y otras partes internas. El daño por congelamiento no está cubierto por la garantía.
- SER “Herramienta de extracción de la bomba y la bobina” (N / P: 59.400.000). Esta herramienta utiliza aire comprimido para eliminar con fuerza cualquier agua que quede en la bomba. Un extremo de la herramienta se conecta a un compresor de aire, mientras que el otro se conecta a la entrada de la bomba de agua a través de un adaptador. Siga las instrucciones en la parte posterior del empaque para usar la herramienta de extracción de la bomba y la bobina. (Herramienta de rebobinado no incluida)

PRECAUCIÓN

Asegúrese de que las mangueras y la pistola rociadora no estén conectadas a la bomba durante la aplicación del protector de la bomba o el uso de la herramienta de extracción. Tener una manguera conectada reduce en gran medida la cantidad de agua / desechos eliminados de la bomba y la bobina.

AVISO

Debe proteger su unidad de temperaturas bajo cero.

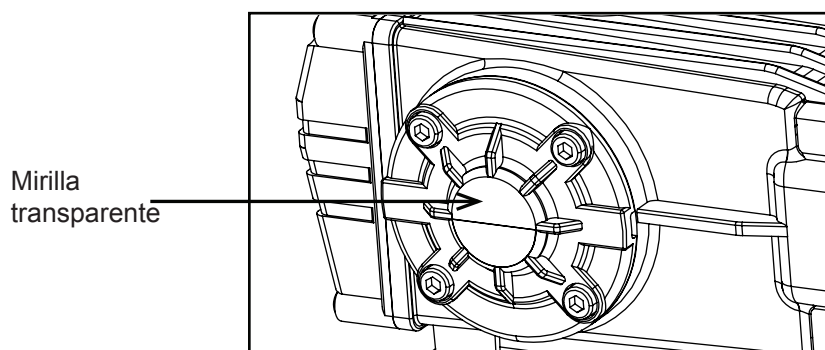
1. De lo contrario, dañará permanentemente su bomba y dejará su unidad inoperable.
2. El daño por congelamiento no está cubierto por la garantía.

MANTENIMIENTO

MANTENIMIENTO ESPECÍFICO

MOTOR: Las instrucciones del motor que acompañan a su unidad detallan los procedimientos específicos para el mantenimiento del motor. Seguir las recomendaciones del fabricante del motor extenderá la vida útil del motor y garantizará el mejor rendimiento posible.

BOMBA: Cambie el aceite de la bomba después de las primeras 50 horas de operación. Después del cambio inicial, se recomiendan cada 3 meses o intervalos de 250 horas. Si el aceite parece sucio o lechoso, se pueden requerir cambios con mayor frecuencia. Use aceite de bomba sin detergente SAE 30 y llene solo hasta el centro de la mirilla de aceite. No llene demasiado.



BOQUILLA: El flujo de agua a través de la boquilla rociadora erosionará el orificio con el tiempo, haciéndolo más grande. Esto dará como resultado una reducción de la presión. Las boquillas deben reemplazarse siempre que la presión sea inferior al 85% del máximo. La frecuencia de reemplazo dependerá de variables tales como el contenido mineral en el agua y el número de horas que se usa la boquilla. Cada 3-6 meses tiende a ser un intervalo estándar para el reemplazo.

CALENDARIO DE MANTENIMIENTO

PROCEDIMIENTO		DIARIO	3 MESES	6 MESES	9 MESES	12 MESES
Verifique el nivel de aceite del motor		X				
Cambia el aceite del motor	*****		X	X	X	X
Verifique el nivel de aceite de la bomba de agua		X				
Cambiar el aceite de la bomba de agua	**		X	X	X	X
Inspección de fugas de aceite		X				
Inspección de fugas de combustible		X				
Inspección de fugas de agua		X				
Inspección de manguera		X				
Inspección de la pantalla de entrada de agua		X				
Revise el filtro de combustible			X	X	X	X
Reemplace el filtro de combustible				X		
Inspeccionar correas			X	X	X	X
Reemplace la boquilla de alta presión	***		X	X	X	X
Inspeccione el filtro de la bomba de combustible	*					X
Reemplace la boquilla de combustible	*					X
Verifique el ajuste del aire del calentador			X	X	X	X
Verifique los electrodos del calentador	*					X
Prueba de presión de combustible	*		X	X	X	X
Prueba de temperatura del agua	*		X	X	X	X
Prueba de temperatura del agua	*		X	X	X	X
Bobina de descalcificación	****					X

* Debe ser realizado por un técnico autorizado de servicio.

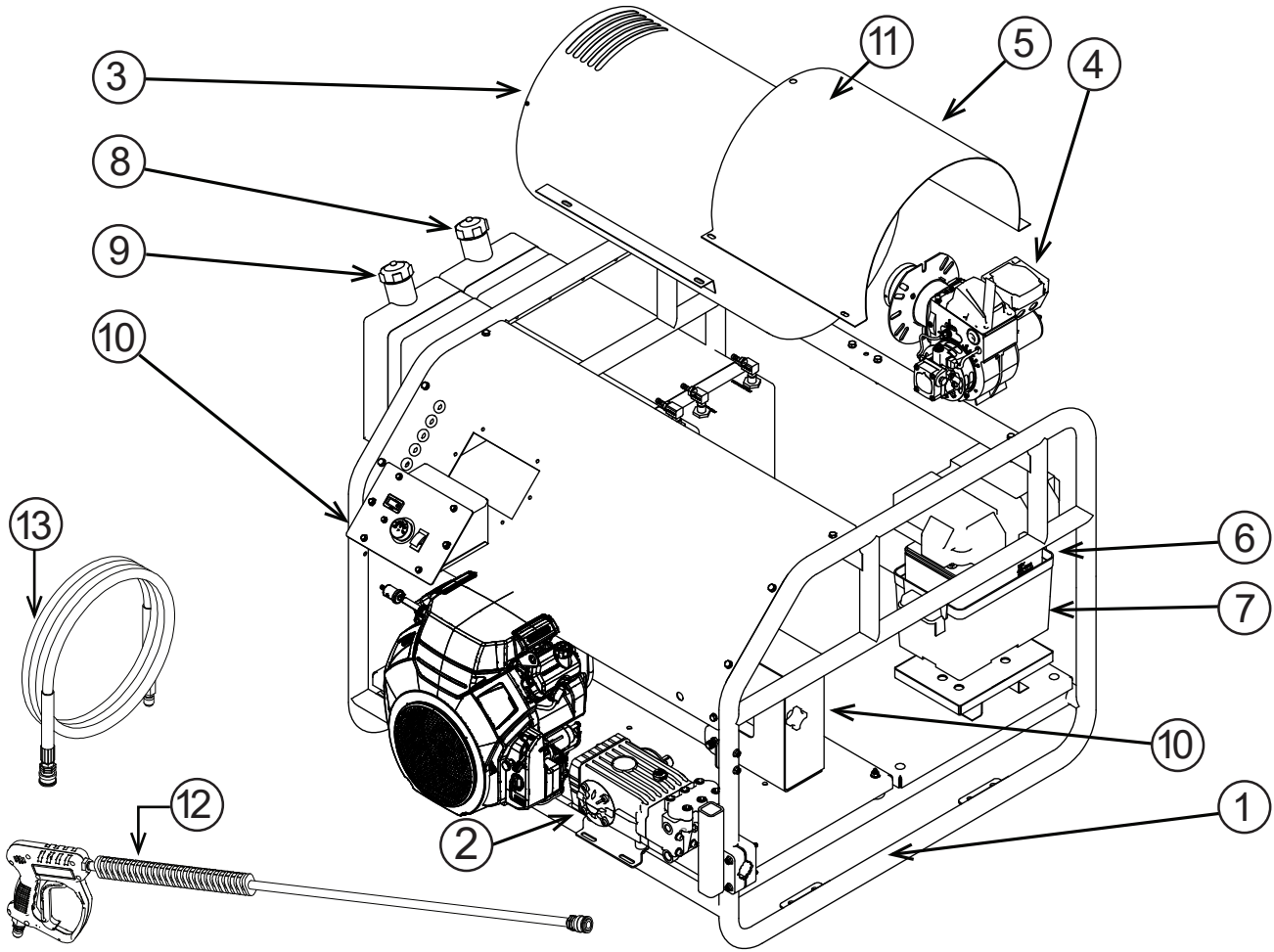
** El aceite de la bomba debe cambiarse después de las primeras 50 horas de operación y luego cada 250 horas o 3 meses, lo que ocurra primero.

*** La boquilla de alta presión debe reemplazarse siempre que la presión caiga a menos del 85%.

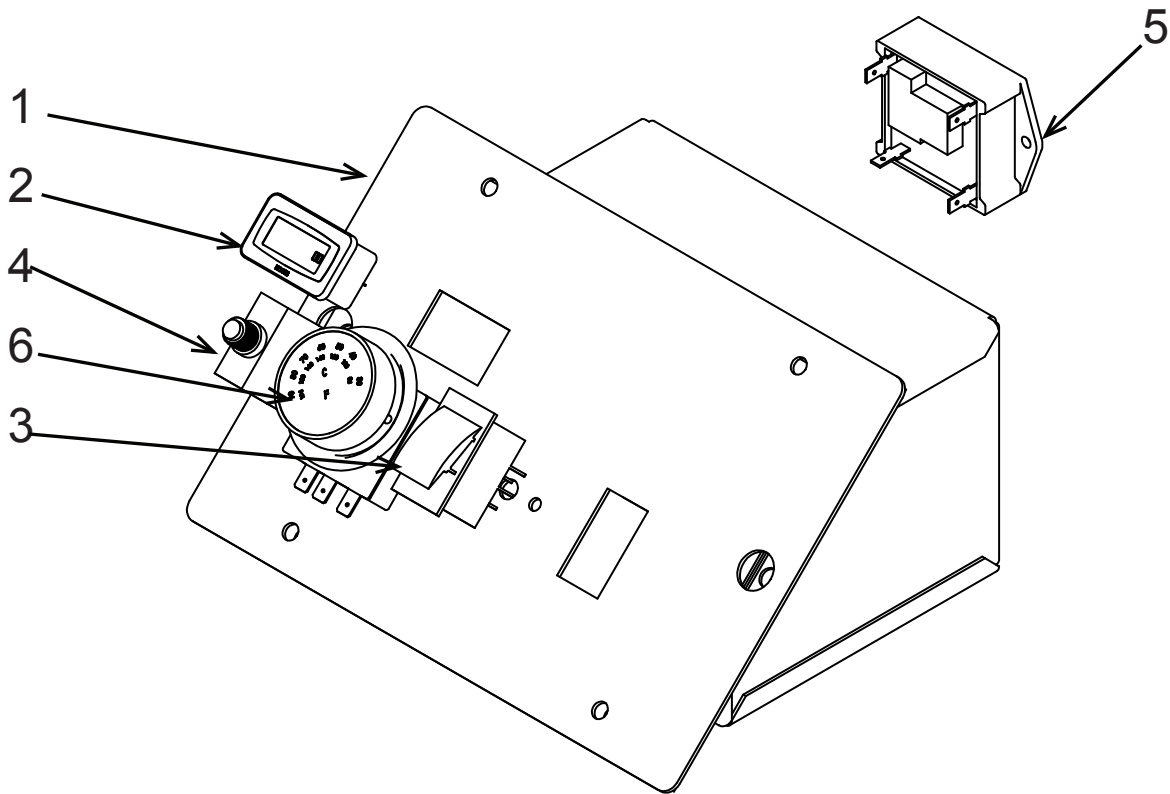
**** La acumulación de incrustaciones variará con el contenido mineral en el agua y la cantidad de uso. La descalcificación puede variar de mantenimiento semanal a anual.

***** El aceite del motor debe cambiarse después de las primeras 8 horas de operación y luego cada 50 horas o 3 meses, lo que ocurra primero.

LAVADORA A PRESIÓN



ITEM #.	PART #	DESCRIPTION	QTY.	PART #	DESCRIPTION	QTY.
1	85.600.220	CONJUNTO DE MARCO	1	AL607	DESCARGADOR, VRT3, 5.6GPM (3524HG12V)	1
2	85.130.071B	BOMBA GENERAL TSF2021 8GPM (3024HG12V)	1	85.300.033	DESCARGADOR, VRT100, 8.0GPM (3024HG12V)	1
	85.130.026B	BOMBA GENERAL TS2021 5.6GPM (3524HG12V)	1	85.300.082	INTERRUPTOR DE PRESIÓN	1
3	59.000.200	BOBINA, LAVADO CALIENTE 5.6GPM (3524HG12V)	1	85.300.088	VÁLVULA DE EXPANSIÓN	1
	59.000.208	BOBINA, LAVADO CALIENTE 8GPM (3024HG12V)	1	47.002.045	CINTURONES 3VX450	4
4	59.110.016	QUEMADOR / (SERIE 12V ADC)	1	59.000.104	FILTRO DE COMBUSTIBLE	2
5	59.000.201	CAMPANA DEL QUEMADOR; LAVADO CALIENTE	1	85.550.063	FILTRO DE AIRE DEL MOTOR	1
6	85.603.101	CAJA DE BATERIA PARA SKID HW	1	85.550.064	FILTRO DE ACEITE DE MOTOR	1
7	85.603.100	BATERÍA, AGM, 12V, 80AH	1	85.550.065	DIP STICK DEL MOTOR	1
8	85.601.040	TANQUE DE COMBUSTIBLE DIESEL DE 14,4 GAL	1	85.550.066	BUJIA MOTOR	2
9	85.601.041	14.4 TANQUE DE COMBUSTIBLE DE GASOLINA	1	85.550.008L	SILENCIADOR	1
10	85.602.222	PROTECCIÓN DE CORREA	1			
11	59.000.008	AISLAMIENTO	1			
12	85.205.066H	PISTOLA	1			
13	85.238.251	MANGUERA	1			

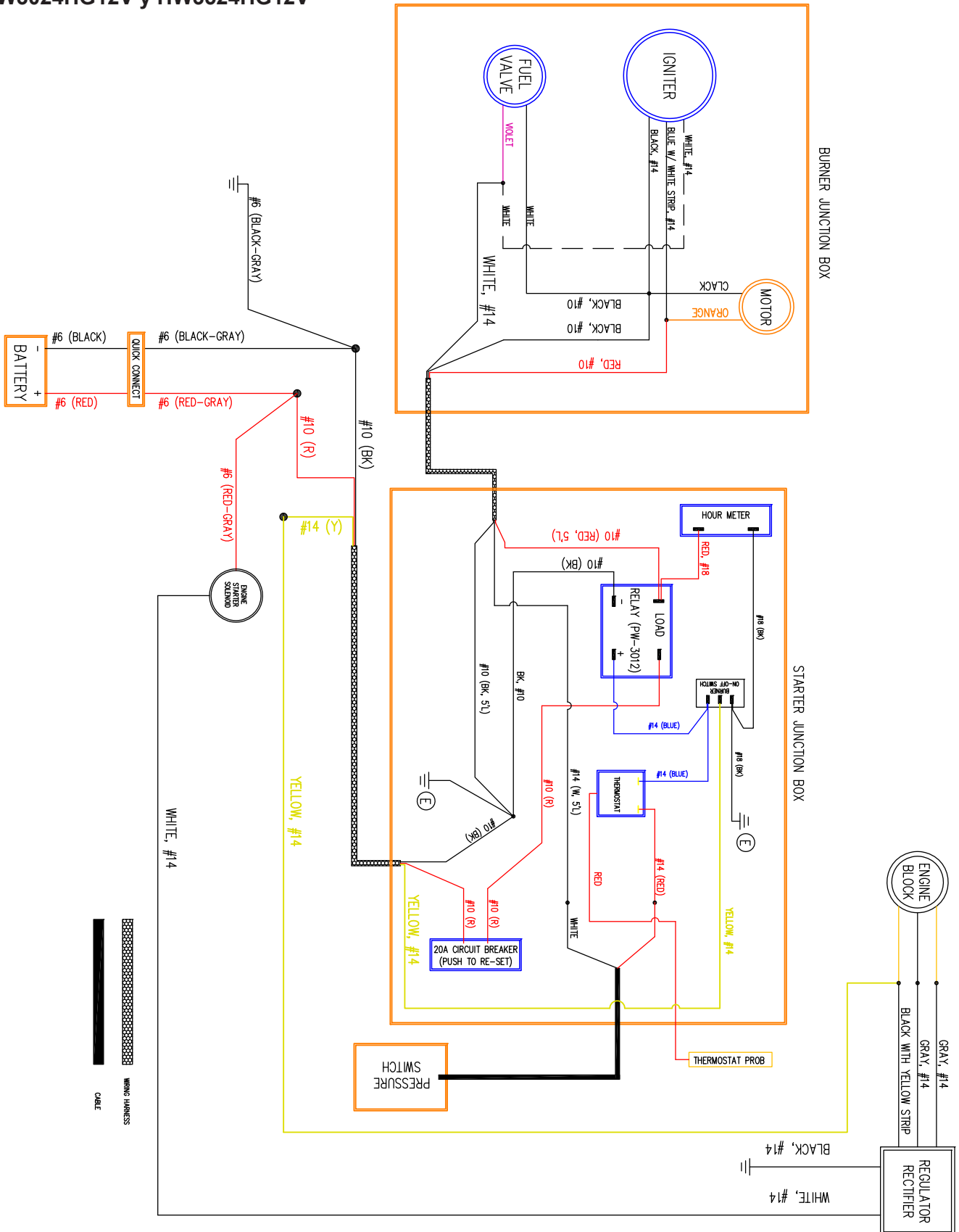


NÚMERO	NÚMERO DE PIEZA	DESCRIPCIÓN	Cant.
1	85.600.231	CAJA DE CONTROL DEL CALENTADOR	1
2	59.000.206	CONTADOR DE HORAS	1
3	59.000.103	INTERRUPTOR DE ENCENDIDO / APAGADO PARA CALENTADOR DE 12V (SERIE ADC)	1
3	59.000.205	INTERRUPTOR DE ENCENDIDO / APAGADO PARA CALENTADOR DE 120 V (SERIE AFG)	1
4	85.504.026	PULSE PARA REINICIAR EL INTERRUPTOR DE CIRCUITO 25A	1
5	59.000.102	RELAY DE BAJA TENSIÓN (12V)	1
6	85.400.071	TERMOSTATO	1

DIAGRAMA DE CABLEADO DEL PANEL DE CONTROL



HW3024HG12V y HW3524HG12V



ADC Beckett

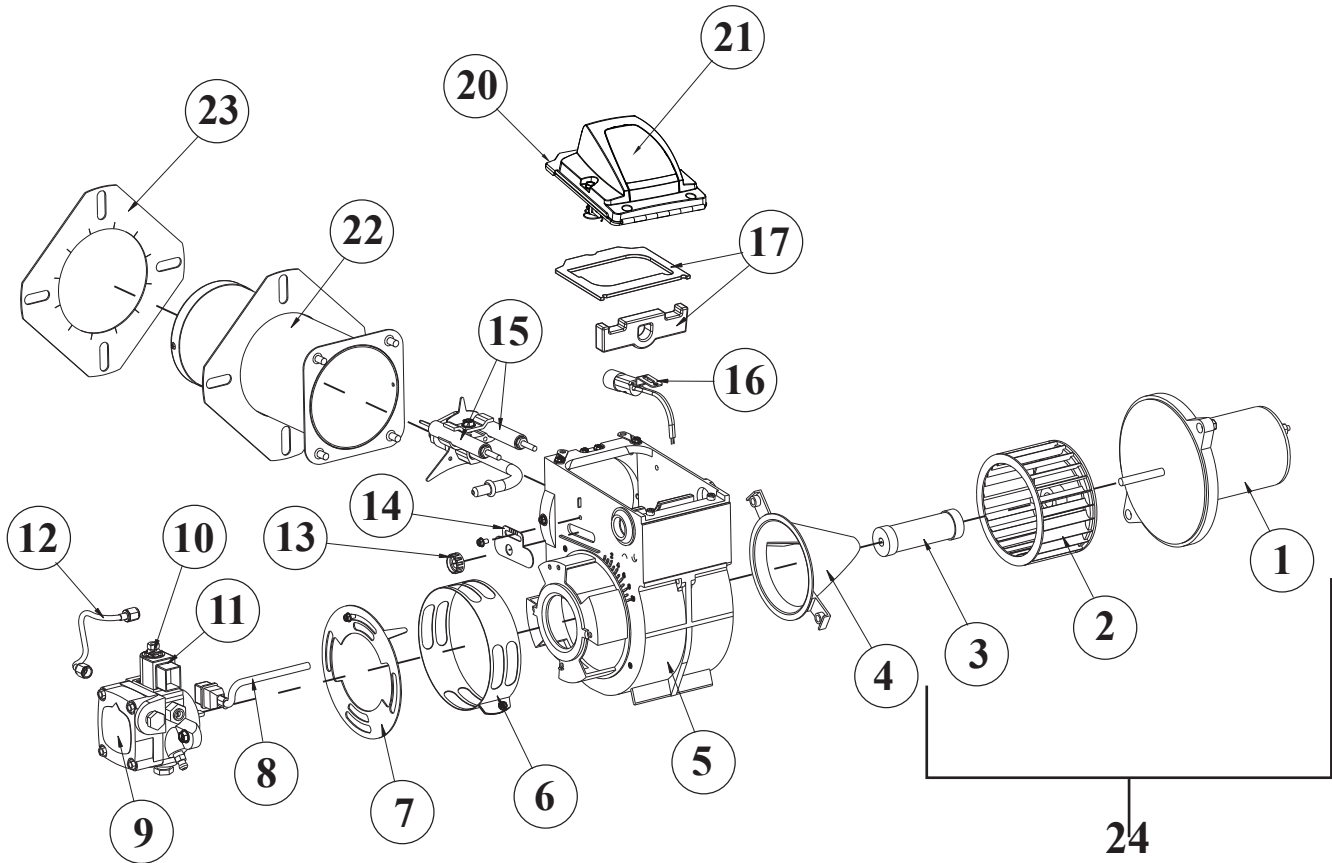


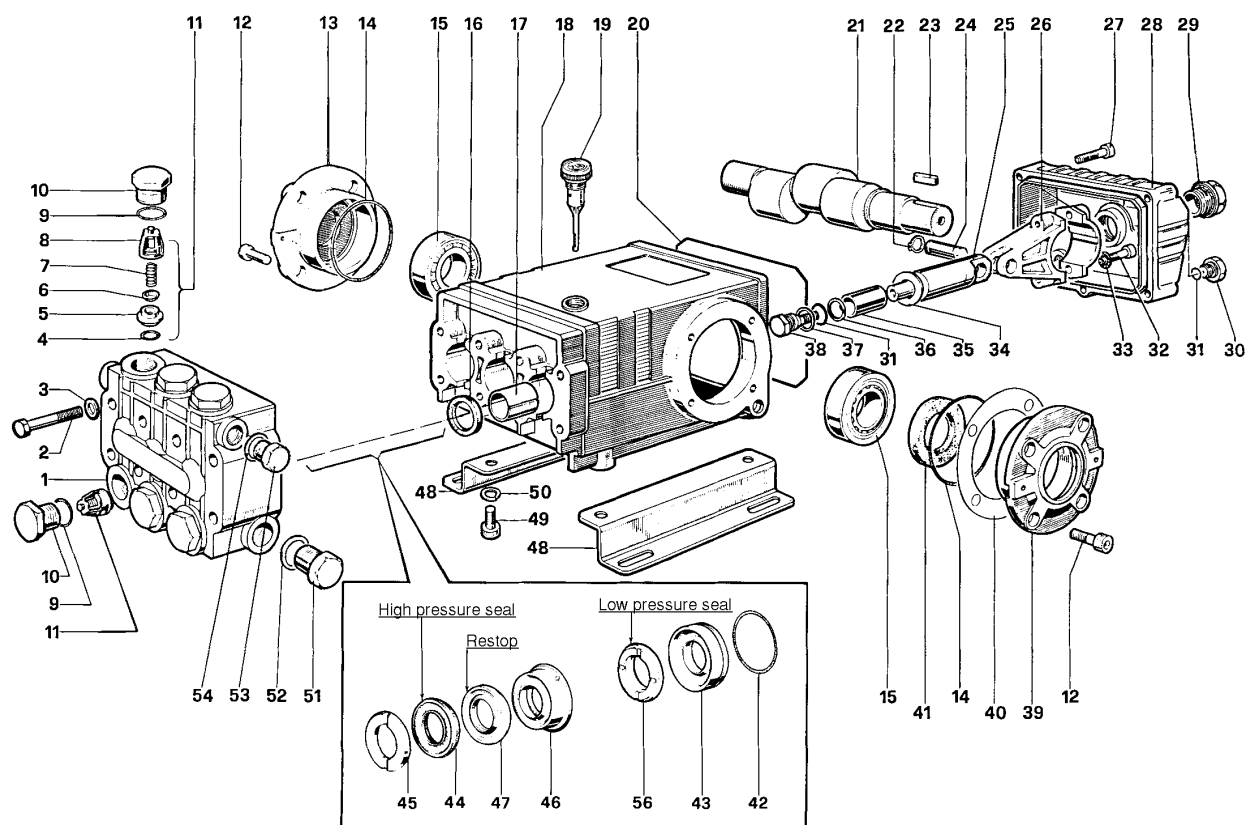
Illustration #	Description
1	Motor de corriente continua
2	Rueda de soplador
3	Acoplamiento
4	Guía de aire
5	Carcasa del quemador - Negro
6	Banda de aire
7	Obturador de aire - 4 ranuras Obturador de aire - 8 ranuras
8	Juego de cables
9	Bomba (CleanCut)
10	Vástago de válvula
11	Bobina de 12 voltios
12	Tubo de cobre de 8 "
13	Placa estriada tuerca estriada
14	Placa de escudo
15	Kit de electrodos de más de 3-5 / 8 "
16	Detector de células cad
17	Kit de juntas de encendido
18	Kit de caja de cableado 4X4

Illustration #	Description
20	Conjunto de encendedor con placa base
21	Solo encendedor
22	Conjunto de tubo de aire
23	Junta de montaje de brida
24	Kit de motor con rueda de soplador y acoplamiento
No mostrado	Kit de puesta a punto para 30 y 35 Longitudes de tubo

PART #	Description
59.110.000	Combustible de bomba
59.110.001	Combustible de Solenoide
59.110.002	Conjunto de electrodos
59.110.003	Encendedor
59.110.004	Motor soplador
59.110.005	Acoplamiento del eje

LA BOMBA

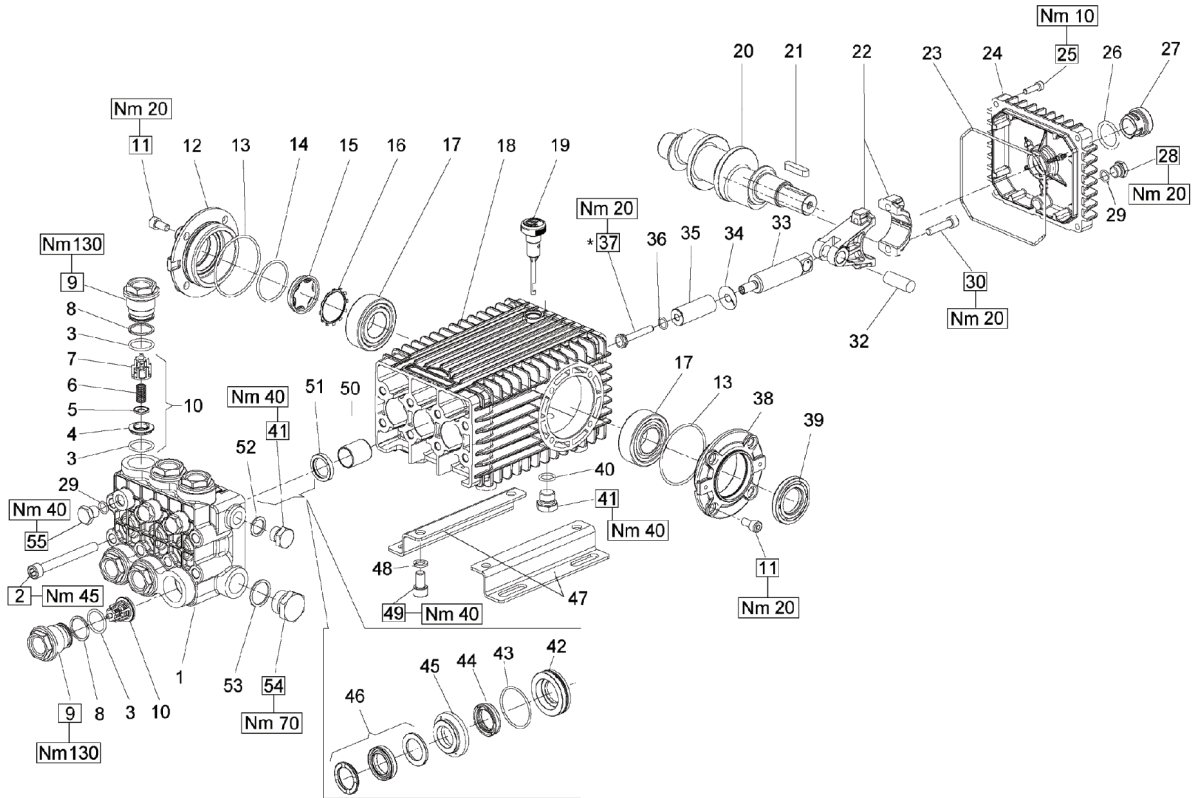
GP TS2021



PARTS LIST

ITEM	PART NO.	DESCRIPTION	KIT NO.	QTY.	ITEM	PART NO.	DESCRIPTION	KIT NO.	QTY.	ITEM	PART NO.	DESCRIPTION	KIT NO.	QTY.
1	47120841	Manifold		1	19	98210600	Oil Dip Stick		1	37	96728000	Washer	6	3
	47120941	Manifold, Nickel-Plated (TS2021-N)			20	90392200	O-Ring, Cover		1	38	47219566	Screw, Plunger	6	3
2	99320600	Screw, M8 x 70		8	21	47021735	Crankshaft		1	39	47150022	Cover, Crankcase		1
3	96702000	Washer, M8.4		8	22	90055700	Ring, Snap		6	40	97567800	Shim		2
4	90384100	O-Ring, .674 x .103	1	6	23	91489000	Key		1	41	90164800	Seal, Oil	3	1
5	36200366	Seat, Valve	1	6	24	97738000	Pin, Wrist		3	42	90361600	O-Ring, 1.364 x .070	10, 28	3
6	36200176	Plate, Valve	1	6	25	47050554	Guide, Plunger		3	43	47080570	Retainer, Packing	10, 28	3
7	94737600	Spring	1	6	26	47030001	Rod, Connecting		3	44	90270500	Packing	28, 69	3
8	36200251	Guide, Valve	1	6	27	99191200	Screw, M6 x 30		5	45	47100051	Ring, Head, M20	7, 28	3
9	90384700	O-Ring, .797 x .103	4, 5	6		99183700	Screw, M6 x 14 (T1011)		5	46	47216970	Intermed. Ring	28, 71	3
10	98222000	Cap	4	6	28	47160122	Cover, Crankcase		1	47	90270400	Restop Ring	28, 69, 71	3
	98222200	Cap, Ni-Plated (TS2021-N)	5			47160022	Cover, Crankcase (T1011)			48	47200074	Pump Feet		2
11	36703201	Valve Assembly	1	6	29	97596800	Oil Indicator		1	49	99364400	Screw, M10 x 18		4
12	99303900	Screw, M8 x 16		8	30	98204100	Cap		1	50	96710600	Washer, M10.2		4
13	47150122	Cover, Crankcase	1		31	90358500	O-Ring, .426 x .070	6	4	51	98217600	Cap		1
14	90391300	O-Ring, 2.675 x .103	2		32	99309900	Screw, M8 x 35		6	52	96751400	Washer, M21.5		1
15	640047	Bearing, Roller	2		33	96701400	Washer, M8.4		6	53	98210000	Cap		1
16	90162500	Seal, Oil	2	3	34	96728600	Washer, M14	6	3	54	96738000	Washer, M17.5		1
17	90912600	Bushing		3	35	47040409	Plunger, (20 mm)		3	56	90271000	Seal, Low Press., 20mm	28, 69	3
18	47010522	Crankcase		1	36	90506700	Ring, Back-up	6	3					

GP TSF2021



PARTS LIST

POS.	PART NO.	DESCRIPTION	QTY.	POS.	PART NO.	DESCRIPTION	QTY.	POS.	PART NO.	DESCRIPTION	QTY.
1	66124541	Manifold, Ø 18mm	1	22	66030001	Connecting Rod, Complete	3	43	90361600	O-ring, Ø 34.65x1.78	3
	66120041	Manifold, Ø 20mm	1	23	90392200	O-ring, Ø133.02x2.62	1	44	90265200	LP Seal, Ø 18mm	3
	66120141	Manifold, Ø 22 mm	1	24	66160022	Rear Cover	1		90269000	LP Seal, Ø 20mm	3
	66120241	Manifold, Ø 24mm	1	25	99188400	Screw, M6x20	4		90271500	LP Seal, Ø 22mm	3
	66124641	Manifold, Ø 28mm	1	26	90405100	O-ring, 26.58x3.53	1		90273800	LP Seal, Ø 24mm	3
2	99380100	Headbolt M10 x 90	8	27	63210051	Oil Level Indicator	1		90275300	LP Seal, Ø 28mm	3
3	90385700	O-ring, Ø 23.81x2.62	12	28	98204100	Plug, G1/4"x9	1	45	66216370	Intermediate Ring, Ø 18mm	3
4	36203366	Valve Seat	6	29	7010113	O-ring, Ø .426x.070	4		66216070	Intermediate Ring, Ø 20mm	3
5	36203476	Valve Poppet	6	30	99309900	Screw, M8x35	6		66216170	Intermediate Ring, Ø 22mm	3
6	94738800	Valve Spring Ø10x18x18.5	6	32	97740500	Wrist Pin, 14x39	3		66216470	Intermediate Ring, Ø 24mm	3
7	36203551	Valve Guide	6	33	66050064	Piston Guide	3		66220070	Intermediate Ring, Ø 28mm	3
8	90516500	Anti-ext ring Ø24.7x29x1.5	6	34	96710100	Flinger Washer	3	46	90265500	HP Seal, Ø 18mm	3
9	66130041	Plug, M32x1.5x29.5	6	35	66040309	Plunger, Ø 18mm	3		90269200	HP Seal, Ø 20mm	3
10	36712701	Valve Assy., Complete	6		66040009	Plunger, Ø 20mm	3		90271700	HP Seal, Ø 22mm	3
11	99303900	Screw M8 x 16	8		66040109	Plunger, Ø 22 mm	3		90274100	HP Seal, Ø 24mm	3
12	47151222	Cover	1		66040409	Plunger, Ø 24mm	3		90275400	HP Seal, Ø 28mm	3
13	90391300	O-ring, Ø67.95x2.62	2		66041009	Plunger, Ø 28mm	3	47	47200074	Pump Rail	2
14	90387700	O-ring, Ø 39.34x2.62	1	36	90358400	O-ring, Ø 10.82x1.78	3	48	96710600	Washer M10	4
15	70211801	Oil Sight Glass	1	37	66219566	Plunger Bolt	3	49	99364400	Screw M10 x 18	4
16	90075600	Retainer Clip	1	38	47151022	Side Cover, PTO	1	50	90912600	Guide Bushing	3
17	91838000	Bearing	2	39	90164800	Seal, Shaft	1	51	90162500	Seal, Plunger Rod	3
18	66010022	Crankcase	1	40	90383300	O-ring, Ø 13.95x2.62	1	52	96738000	Gasket, Aluminum 3/8"	1
19	98210600	Dipstick, vented	1	41	98210000	Plug 3/8 x 13	2	53	96770000	Washer	1
20	66021035	Crankshaft, 19mm Stroke, 1 Dual Shaft	1	42	66080370	Seal Retainer, Ø 18mm	3	54	98226800	Plug, G3/4"x16	1
	66020035	Crankshaft, 19mm Stroke	1		66080070	Seal Retainer, Ø 20mm	3	55	98204300	Plug 1/4" x 13	3
	66020435	Crankshaft, 21mm Stroke	1		66080170	Seal Retainer, Ø 22mm	3				
21	91489200	Key, 9x7x35	1		66080470	Seal Retainer, Ø 24mm	3				
					66082570	Seal Retainer, Ø 28mm	3				

SOLUCIÓN DE PROBLEMAS

SÍNTOMA	CAUSA PROBABLE	REPARACIÓN
El motor no arranca	Varios problemas de motor	Consulte el Manual del motor que acompaña a su unidad.
	Los componentes de la unidad están congelados.	Deje descongelar, si alguna parte de la unidad se congela, se puede acumular una presión excesiva en la unidad, esto puede hacer que la unidad explote, resultando en posibles lesiones graves para el operador o los espectadores.
No hay descarga en la boquilla cuando se aprieta el mecanismo de disparo.	Abastecimiento de agua inadecuado.	Asegúrese de que la manguera tenga un diámetro de 3/4 "y que el suministro de agua entrante esté encendido. Asegúrese de que el agua esté completamente abierta.
Presión baja o fluctuante.	Enrosque la manguera de entrada de agua.	Eliminar torcedura.
	Rejilla de entrada de agua obstruida.	Retire la pantalla, limpie o reemplace.
	Bomba de aspiración de aire. (Primer eliminado)	Apriete todas las conexiones de entrada de agua. Elimine las fugas en la línea de entrada.
	Boquilla incorrecta instalada en la pistola.	Inserte la boquilla de alta presión.
	Boquilla de rociado obstruida o desgastada.	Retirar, limpiar o reemplazar.
	Conjunto de válvula dañado u obstruido. en la bomba	Retirar, limpiar o reemplazar.
	Empaques de la bomba desgastados.	Reemplace las empaquetaduras.
	La válvula de descarga / derivación no funciona correctamente.	Reparar o reemplazar.
Hay fugas de agua en la válvula de seguridad.	Mal funcionamiento del descargador.	Detectar y corregir el problema del descargador.
	Mal funcionamiento del interruptor de presión.	Detectar y corregir el problema del interruptor de presión.
	La válvula de seguridad está defectuosa	Reemplace la válvula de alivio de seguridad. NUNCA opere la unidad sin la válvula de seguridad. ¡Hacerlo puede causar una explosión!
El aceite parece lechoso o espumoso.	Agua en aceite.	Cambiar el aceite de la bomba. Llène hasta el nivel adecuado.
Fugas de aceite de la unidad.	Sellos gastados o juntas tóricas.	Consultar servicio al cliente.

El detergente no succionará	El filtro de detergente no está completamente sumergido en la solución de detergente.	Verificar, sumergir si es necesario.
	Filtro de detergente obstruido.	Inspeccionar, limpiar o reemplazar.
	Manguera de detergente cortada, obstruida o doblada.	Inspeccionar, limpiar o reemplazar.
	Perilla de ajuste de detergente girada a la posición cerrada.	Abra la perilla de ajuste. Consulte "Limpieza con detergentes".
	La boquilla está obstruida.	Limpiar o reemplazar.
El agua fluye de regreso al recipiente de detergente.	Bola y resorte en Venturi invertido, perdido o corroído.	Retirar, limpiar o reemplazar.
El agua fluye desde la boquilla cuando la pistola de gatillo está bloqueada en la posición "OFF"	La pistola de disparo no funciona correctamente.	Reparar o reemplazar.
El motor del ventilador no funciona. (El quemador no se encenderá sin que el ventilador funcione)	Mal funcionamiento del motor del quemador / soplador.	Reparar o reemplazar.
	Correa rota o resbalando en el generador.	Ajuste o reemplace según sea necesario.

El ventilador funciona, pero el quemador no se enciende.	El interruptor no está en la posición "Burner".	Verifique la posición del interruptor.
	La perilla del termostato está apagada.	Verifique la posición de la perilla del termostato.
	El gatillo de la pistola está cerrado / no presionado.	Presione el gatillo de la pistola.
	La válvula de detergente está abierta, pero la manguera de detergente no está completamente sumergida en la solución. (Esto hace que los dispositivos de seguridad apaguen el quemador).	Cierre la válvula o sumerja completamente la manguera de vinilo transparente en la solución de detergente.
	Interruptor de anulación de presión.	La presión debe ser superior a 375 PSI
	Sin voltaje	Consultar Departamento de Servicio.
	Bomba de combustible aspirando aire.	Apriete todas las conexiones de admisión de combustible. Eliminar fugas en la línea de admisión.
	Pobre o inadecuado suministro de combustible.	Verifique el combustible para asegurarse de que sea correcto. Drene el tanque y el filtro si es necesario y rellene con el combustible adecuado.
El ventilador funciona, pero el quemador no se enciende.	Filtro de combustible o separador de agua de combustible sucio u obstruido.	Drene o reemplace según sea necesario.
	Baja presión de la bomba de combustible.	Verifique la presión de la bomba de combustible, ajuste o reemplace según sea necesario.
	La bomba de combustible no funciona.	Verifique la presión, reemplácela si es necesario.
	Acoplador flexible roto.	Reemplazar.
	Falla de la válvula solenoide de combustible.	Reemplazar.
	Boquilla de combustible sucia u obstruida.	Reemplace la boquilla de combustible.
	Ajuste inadecuado del aire del quemador.	Ajustar.
	Módulo de encendido defectuoso.	Reparar o reemplazar. Consultar servicio al cliente.
Burner funciona erráticamente.	Electrodos de encendido dañados o desgastados.	Ajuste o reemplace los electrodos. Consultar servicio al cliente.
	Agua en el combustible.	Drene el filtro de combustible / separador de agua. Drene el tanque de combustible y reemplácelo con combustible limpio.
	Filtro de combustible sucio	Reemplazar filtro
	Boquilla de combustible sucia.	Reemplazar.
	Ajuste de ajuste de aire incorrecto.	Ajustar.
El soplador funciona, el quemador se enciende pero no se calienta.	La bomba de combustible no funciona correctamente.	Reemplazar.
	La perilla del termostato está apagada.	Verifique la posición de la perilla del termostato.
	La válvula de detergente está abierta, pero la manguera de detergente no está completamente sumergida en la solución. (Esto hace que los dispositivos de seguridad apaguen el quemador).	Cierre la válvula o sumerja completamente la manguera de vinilo en la solución de detergente.
	Pobre o inadecuado suministro de combustible.	Verifique el combustible para asegurarse de que sea correcto. Drene el tanque y reemplace el filtro si es necesario y rellene con el combustible adecuado.
	Filtro de combustible o separador de agua de combustible sucio u obstruido.	Drene o reemplace según sea necesario.
	Baja presión de la bomba de combustible.	Check fuel pump pressure, adjust or replace if needed.
El soplador funciona, el calentador se enciende pero no se calienta.	Boquilla de combustible sucia u obstruida.	Reemplace la boquilla de combustible.
	Ajuste incorrecto del ajuste del aire del quemador.	Ajusta la configuración.
El calentador descarga humo blanco.	Escala acumulada en la bobina del intercambiador de calor.	Consultar servicio al cliente.
	Bajo en combustible.	Repostar. Si el humo blanco persiste, consulte con el Servicio al cliente.
El quemador descarga humo negro.	Suministro de aire excesivo.	Ajustar el flujo de aire.
	Insuficiente suministro de aire.	Ajuste para asegurar que el flujo de aire sea suficiente.

GARANTÍA

BE Power Equipment hace todo lo posible para garantizar que nuestros productos cumplan con los más altos estándares de calidad y durabilidad.

BE Power Equipment garantiza al consumidor minorista original una garantía limitada contra defectos de material y mano de obra y, BE Power Equipment acuerda reparar o reemplazar cualquier producto defectuoso hasta el valor del precio de compra original a discreción de BE Power Equipment sin cargo. Esta garantía limitada se aplica a las lavadoras a presión de gasolina y eléctricas vendidas en los Estados Unidos y Canadá, no incluye los motores de gasolina HONDA.

BE Power Equipment garantiza el término como se describe a continuación todos los componentes estructurales específicamente para la FECHA DE GARANTÍA LIMITADA del fabricante, excluyendo los componentes HONDA *. Todas las reclamaciones HONDA * deben ser evaluadas por un centro de servicio certificado HONDA *. Los centros de servicio de HONDA figuran en el sitio web de HONDA, pero si necesita ayuda, comuníquese con BE Power Equipment.

Todas las garantías implícitas tienen una duración limitada al período de garantía establecido. En consecuencia, dichas garantías implícitas, incluida la comerciabilidad, la idoneidad para un propósito particular o de otro modo, se rechazan en su totalidad después de la expiración del período de garantía apropiado.

- Motor HONDA GX: 3 Años
- Bombas Triplex: 5 Años
- Panel E léctrico: 1 Año
- Calentador: 3 Años
- Bobina: 3 Años
- Accesorios: 90 días
- Marco: DE POR VIDA

Además, esta GARANTÍA LIMITADA no cubre y no se limita a fallas debido a la falta de servicio, negligencia, mal uso directo o indirecto, abuso, componentes portátiles, alteraciones, daños debido a la congelación, deterioro químico, acumulación de incrustaciones, óxido, corrosión, o expansión térmica, servicio de mantenimiento normal que incluye ajustes, limpieza del sistema de combustible, eliminación de obstrucciones, daños a los componentes debido a fluctuaciones en el suministro eléctrico o de agua, transporte al centro de servicio, cargos por mano de obra en el campo, daños de flete y reparaciones realizadas por un centro de servicio no autorizado .

BE Power Equipment no asume ninguna responsabilidad y en ningún caso será responsable por lesiones a personas o propiedades o por daños incidentales, especiales o consecuentes derivados del uso de nuestros productos.

El período de garantía limitada comienza en la fecha de compra, el número de serie del producto y la factura de venta necesarios para presentar un reclamo.

Envíe el producto a su cargo junto con su comprobante de compra con fecha a un centro de servicio autorizado de BE Power Equipment. Póngase en contacto con su distribuidor, BE Power Equipment o visite bepowerequipment.com/service-centers para obtener una lista de los centros de servicio autorizados. En cooperación con nuestro centro de servicio autorizado, BE Power Equipment reparará o reemplazará el producto reclamado. BE Power Equipment autoriza estricta y exclusivamente la autorización si cualquier parte o partes cubiertas por esta garantía cuyo examen demuestra ser defectuoso en mano de obra o material durante el período de garantía será reparado o reemplazado sin cargo por un centro de servicio autorizado de BE POWER EQUIPMENT para El saldo del período de garantía original.

La responsabilidad de BE Power Equipment por daños especiales, incidentales o consecuentes se rechaza expresamente. En ningún caso la responsabilidad de BE Power Equipment excederá el precio de compra del producto en cuestión. BE Power Equipment hace todo lo posible para garantizar que todas las ilustraciones y especificaciones sean correctas, sin embargo, esto no implica una garantía de que el producto sea comercializable o apto para un propósito particular, o que el producto cumpla con las ilustraciones y especificaciones.

LA GARANTÍA CONTENIDA AQUÍ ES EN LUGAR DE TODAS LAS OTRAS GARANTÍAS, EXPRESAS O IMPLÍCITAS, INCLUIDA CUALQUIER GARANTÍA IMPLÍCITA DE APTITUD PARA UN PROPÓSITO EN PARTICULAR. BE Power Equipment no autoriza a ninguna otra parte, incluidos los Distribuidores autorizados de BE Power Equipment, a hacer ninguna representación o promesa en nombre de BE Power Equipment, ni a modificar los términos, condiciones o limitaciones de ninguna manera. Es responsabilidad del comprador asegurarse de que la instalación y el uso de los productos BE Power Equipment cumplan con los códigos locales. Si bien BE Power Equipment intenta asegurar que sus productos cumplan con los códigos nacionales, no puede ser responsable de cómo el cliente elige usar o instalar el producto.

BE POWER EQUIPMENT se reserva el derecho de cambiar o mejorar el diseño de este producto sin asumir la obligación de modificar ningún producto fabricado previamente.

Si no puede resolver el reclamo de garantía satisfactoriamente, comuníquese con el Departamento de Garantía de BE Power Equipment (1-800-663-8331), detallando la naturaleza del defecto, el nombre del distribuidor autorizado de BE Power Equipment, una copia de la compra factura y número de serie aplicable.

BE

POWER EQUIPMENT

SI NECESITA AYUDA CON EL MONTAJE O EL FUNCIONAMIENTO DE SU LAVADORA A
PRESIÓN, LLAME AL 1-800-663-8331
O VISITE NUESTRO SITIO WEB:

BEPOWEREQUIPMENT

.COM